



For Powerful Digital Marketing and Total Multimedia Solution

DV-66104 & DV-66104T

User's Guide version 2

Acknowledgements

The MedeaWiz logo and DV-66104 are trademarks of MedeaWiz Corporation. All other trademarks or registered trademarks are acknowledged as the exclusive property of their respective owners.

Notice

The information contained in this document is subject to change without notice.

MedeaWiz Corporation makes no warranty of any kind with regard to this material, including, but not limited to, the implied warranty of merchantability and fitness for a particular purpose.

MedeaWiz shall not be liable for any errors or for incidental or consequential damages in connection with the furnishing, performance, or use of this material.

All rights reserved. Reproduction, adaptation, or translation of this manual is prohibited without prior written permission of MedeaWiz Corporation, except as allowed under copyright laws.

No part of this document may be photocopied, reproduced, or translated to another language without the prior written consent of MedeaWiz Corporation.

© MedeaWiz Corporation 2004

Table of Contents

1. INTRODUCTION	1
1.1 Package Contents	1
1.2 Features	1
2. SETTING UP YOUR DV-66104	2
Step 1. How to program the contents to your CompactFlash® card	2
Step 2. Insert Hi-Speed CompactFlash® Card into DV-66104.....	3
Step 3. Connect your DV-66104 to other display device (Optional)	3
Step 4. Turn on the display device (Optional).....	4
Step 5. Plug in the power	4
3. USING YOUR DV-66104	5
3.1 DV-66104's AUX Inputs	5
3.2 Control panel outlook	5
Button Switches	6
DIP Switches	7
Control Swtiches	7
3.3 Using the controls	7
4. INTRODUCING DV-66104 ACCESSORIES.....	9
4.1 DV-66K, Keypad Controller.....	9
4.2 DV-66U, Universal Controller.....	9
4.3 DV-66F, Function Selector.....	9
5. TOUCH SCREEN SPECIFICATIONS	10
6. DV-66104 SPECIFICATIONS.....	11

1. INTRODUCTION

DV-66104 is a compact and rugged solution that features our reliable DV-66 MPEG-2 Player linked to a crisp 10.4" TFT-LCD. It can be programmed up to 14 minutes of video (with 512MB CF card), and up to 99 tracks. It is small and light enough to be wall mounted or integrated into a full size kiosk. DV-66104 provides high quality hardware solution at an affordable price. The unit is available with or without touch panel.

DV-66104 - w/out touch screen feature

DV-66104T - with touch screen, see page 9 for touch screen specification.

1.1 Package Contents

- DV-66104 MPEG-2 Digital Player
- AC adapter
- Video/Audio cable



1.2 Features

- 10.4" TFT LCD display
- Touch screen option
- Supports multiple format support: MPEG-2, MPEG-1, MP3, and JPEG
- Repeat or Menu modes available
- Multiple track selection, up to 99 tracks
- Instant track response
- Stereo audio output
- Auto-start on power on

2. SETTING UP YOUR DV-66104

Step 1. How to program the contents to your CompactFlash® card

In order to setup your content to work with the DV-66104 you must have a **high speed CompactFlash®** card. To integrate your media content (MPEG-1, MPEG-2, MP3, or JPEGs) you will need to use a CompactFlash® reader with your computer to load the appropriate files and setup. See programming below for more details.



Connect your card reader to your PC (note: be sure that the card reader driver is installed) and insert the CompactFlash® card (we recommend 128 MB minimum) into the reader. To program your multimedia content on to the media card, open the file manager and copy the files to the card reader drive.

The DV-66 utilizes a **three-digit numeric ID** system for programming your content tracks, so you will need to number your tracks using this system. Please note that you can keep your track descriptions as well. There are two types of play modes, **MENU** and **REPEAT**, which determine what number is the first track.

For instance, in the **MENU mode the first track is 000**, which is the looping track. For the **REPEAT mode the first track is 001**.

Menu mode: This is the factory default mode. Track 000 is the looping track for your menu file and it will continue to play until another track is selected from a push button or touch screen input device.

To switch from Repeat mode back to Menu mode, please depress & hold switch button #1, then plug in the power until the unit start initialing, then the unit will be setup to play files as "menu mode". Switch button #1 can be located either on the touch screen (if used) or on the DV-66K (keypad controller, sold separately).

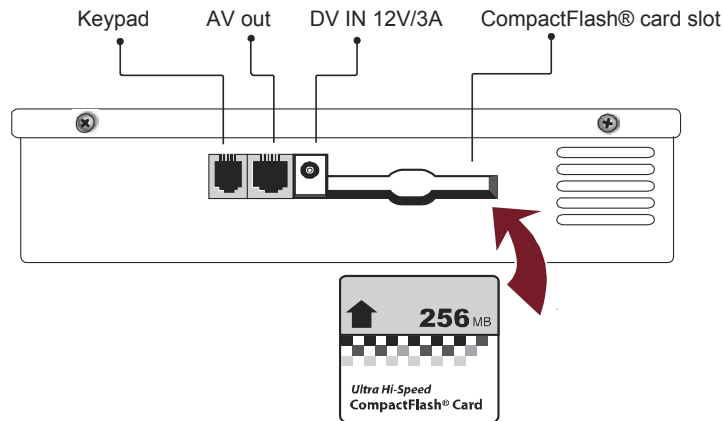
Repeat mode: To change to repeat mode, please depress & hold switch button #2 then plug in the power until the unit start initialing. Repeat mode will play in sequence, one track at a time in numeric order, and after the last track it will start with track 001 again.

Note:

Setup changes will be saved on the flash memory, so the selection made will not change when the power is off.

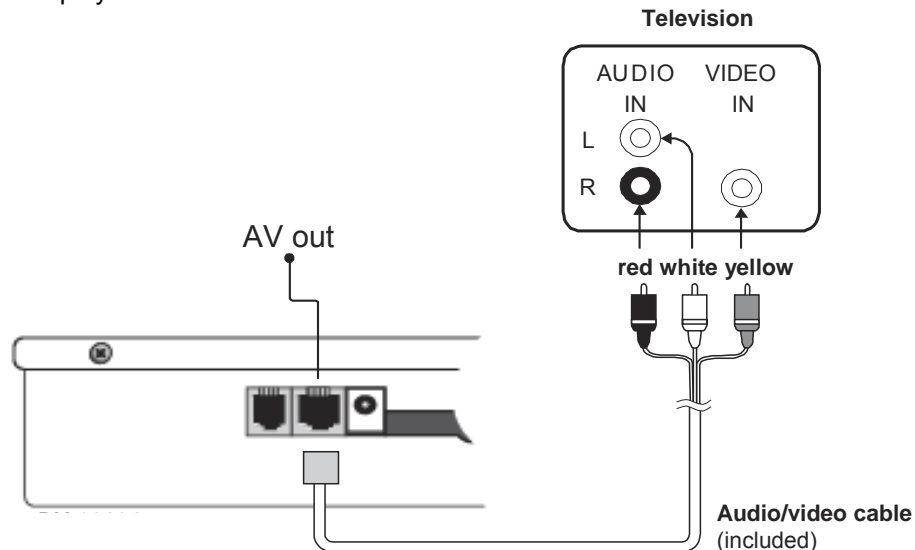
Step 2. Insert Hi-Speed CompactFlash® Card into DV-66104

Caution: DO NOT plug in the power before the CompactFlash® Card is inserted into DV-66104 card slot. MedeaWiz recommends that the CompactFlash® Card to be inserted into the slot first, and then the power can be applied to the unit as described later.



Step 3. Connect your DV-66104 to other display device (Optional)

Simply connect DV-66104 to any video display such as a PC monitor or TV with A/V inputs, and you can start watching the video clips stored on your CompactFlash® Card. You can control the track selection with the optional DV-66K Keypad Controller, and it gives you the ability to control up to 99 tracks on the DV-66 player.



Note: Normally the A/V inputs are located in the back of a TV or VCR. For more instructions on how to use A/V input on your displaying device, consult the manual for the device.

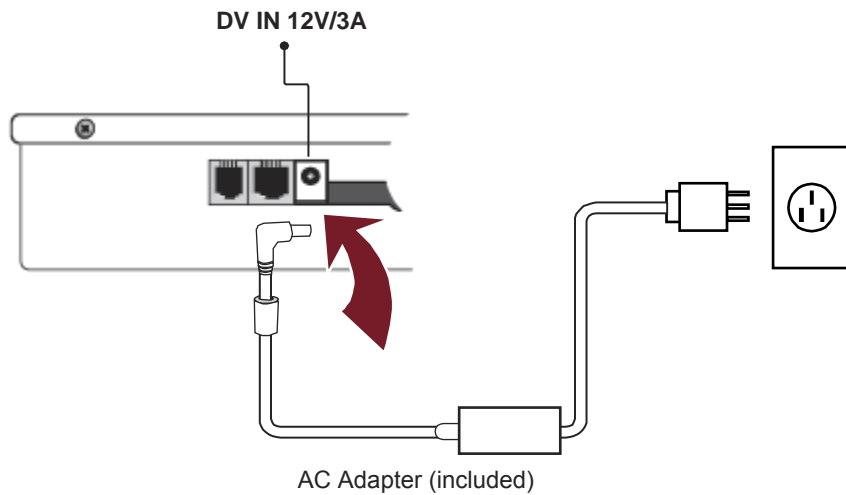
Step 4. Turn on the display device (Optional)

Turn on the display device and change the channel to the corresponding A/V input channel if necessary. Please see the manual of your display device for further instruction.

Step 5. Plug in the power

You are one step away from playing your media files on DV-66104! Just plug in the included power adapter and the DV-66104 will automatically start playing the first video clip on the *CompactFlash*® Card!

Note: Make sure that you have inserted the CompactFlash® Card correctly, and its content meets DV-66's specifications.

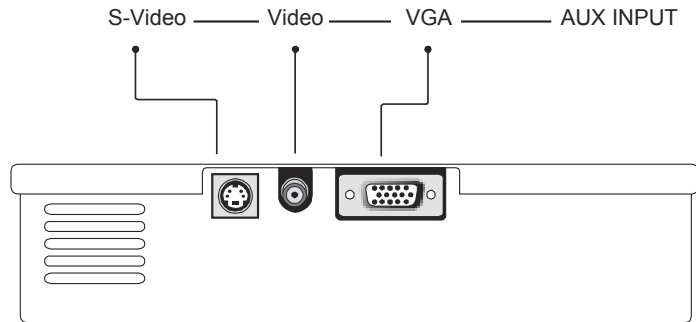


3. USING YOUR DV-66104

3.1 DV-66104's AUX Inputs

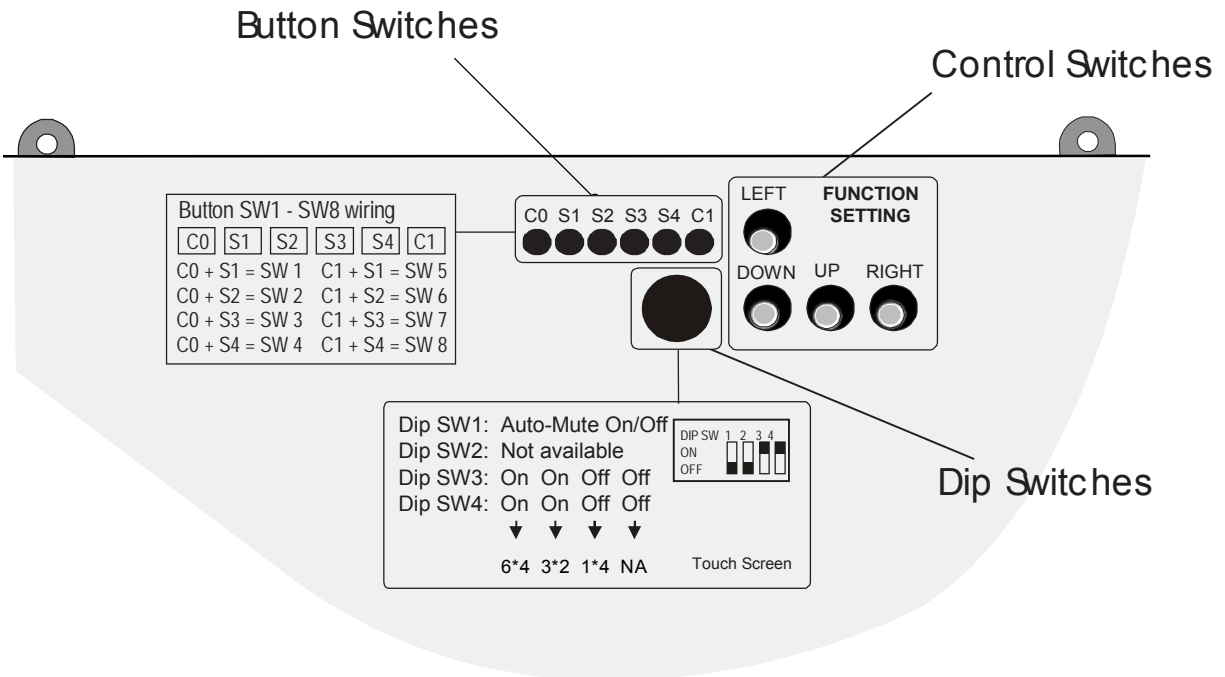
DV-66104 also provides various inputs: S-Video, Video, and VGA for added versatilities.

Note: Connect any input device with the connector, turn on device then power on the DV-66104 unit, the DV-66104 unit will auto-select the aux. input signal and display.



* Turn off the device and remove the connector. DV-66104 unit will go back to display its default input.

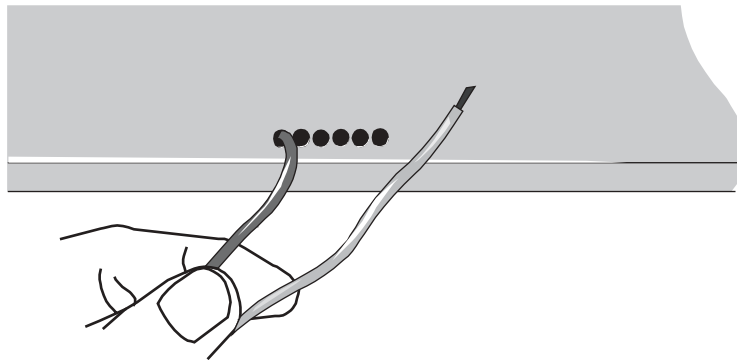
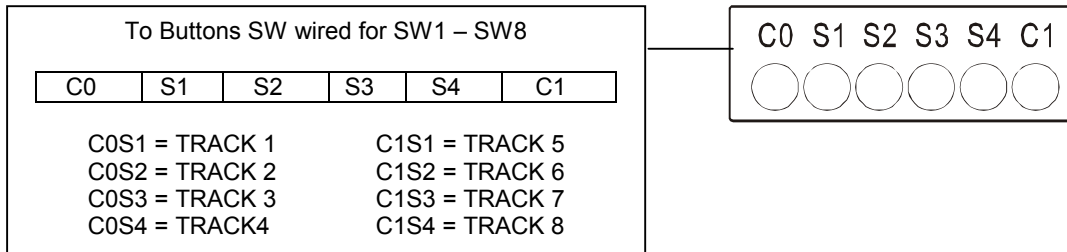
3.2 Control panel outlook



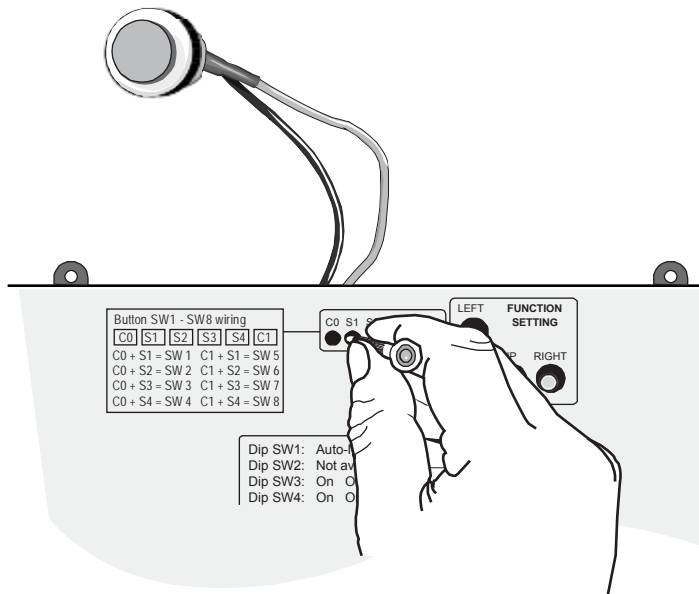
BUTTON SWITCHES

With the button switches, you can have an external set of buttons or control pad.

Note: only 8 tracks are supported in the mode.



Wires are fed into the holes located on top of the metal housing.



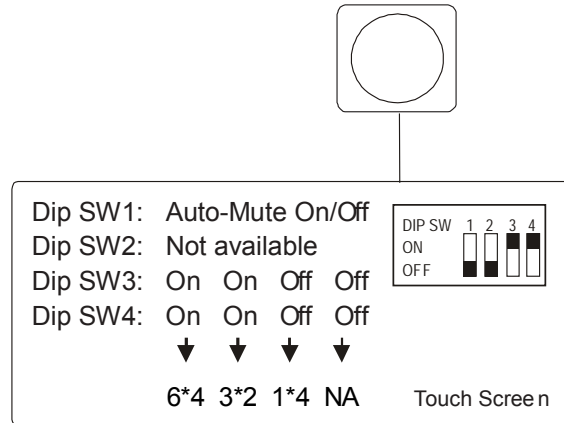
Fixing the wires by fasten the screws on the wiring socket.

DIP SWITCHES

With the DIP switches, you can control “Auto-mute On/Off,” and configure the touch screen to have 4, 6, or 24 tracks.

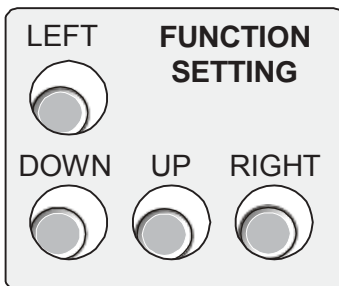
(Auto-mute will disable sound after 5 minutes of inactivity.)

Note: The default setting is SW1 & SW2 off, SW3 & SW4 On.



CONTROL SWITCHES

The control buttons can control the **Video** and **Audio** characteristics and the **OSD** off time and location.



RIGHT & LEFT - To turn on menu; move to next tablet when menu is on, or increase/decrease setting values.

UP & DOWN - Press to increase/decrease the Volume setting or select the desire setting option.

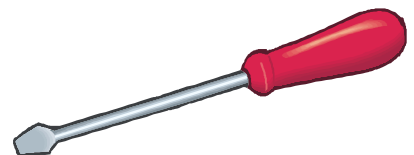
3.3 Using the controls

After turn on DV-66104, you can start controlling its various options by following the steps below.

Step 1.

You will need a small screwdriver or any similar type of tool to reach the controls of DV-66104.

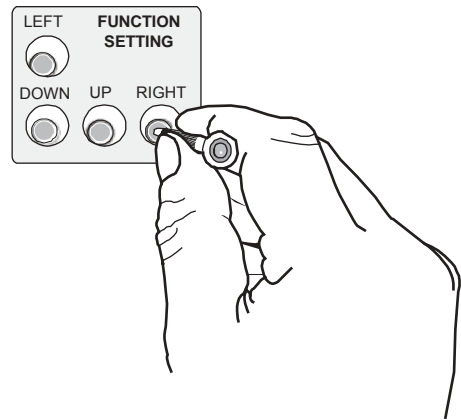
Note: A tool is not included in the package. A small screwdriver like the one shown in the picture will do.



Step 2.

Determine which control you like to configure, see page 7. If only the volume needs to be adjusted, simply depress UP/DOWN buttons to set to the desired volume setting.

CAUTION: The button only requires a light touch. Do not press too hard on the button. MedeaWiz is not responsible for any damages caused by the abuse.



Step 3.

You may want to start from pressing the "RIGHT" button, a menu will appear on the LCD display against whatever video image is playing at the time.

Pressing the "RIGHT" button to select the desired tablet of "Video", "Audio" or "OSD". Then Pressing "DOWN" to go to the option that you would like to change,

Video	Audio	OSD
Brightness		127
Contrast		81
Saturation		81
Tint		0
Sharpness		3
Position H		114
Position V		17
Size H		704
Size V		238
Preset		

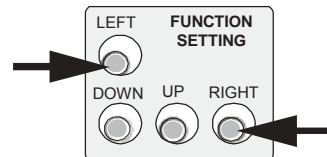
Video	Audio	OSD
Treble		32
Bass		32
Balance		0
Volume		254
Preset		

Video	Audio	OSD
OSD Off time		5S
Language		English
Location H		42
Location V		20
Preset		32

Note: The default setting of Menu off time is 5 seconds ONLY, the menu will be auto off and the changes will be saved when no selections made for more than 5 seconds

Step 4.

When an option is selected, use the "RIGHT" and "LEFT" buttons to increase/decrease setting values of each option.



Step 5.

After changes are made, wait for 5 seconds, the menu will be auto off and the changes will be saved when no selections made for more than 5 seconds.

CAUTION: Any changes will not be saved if power is turned off before the menu is properly exited.
CAUTION: Use carefully when making any setting changes, MedeaWiz is not responsible for any damages that you made during the operations described in this chapter.

4. INTRODUCING DV-66104 ACCESSORIES

4.1 DV-66K, Keypad Controller

The required interface for connecting and controlling the DV-66104 player with an external input device, such as push buttons. There are eight buttons per controller. 4800 baud rate.



4.2 DV-66U, Universal Controller

The required interface for connecting the DV-66104 player with an analog touch screen. There are eight switch buttons per controller. 4800 baud rate.

CAUTION: Analog touch screen used with DV-66U is subject to any dimension of the standard 4-wire resistive type touch screen; it is different with the matrix type touch screen built in the DV-66104 unit



4.3 DV-66F, Function Selector

The function selector provides the custom options available on the DV-66 (4800 baud rate), which include:

- OSD - on or off
- Repeat or Menu mode
- VGA or Composite video output
- Volume - up and down



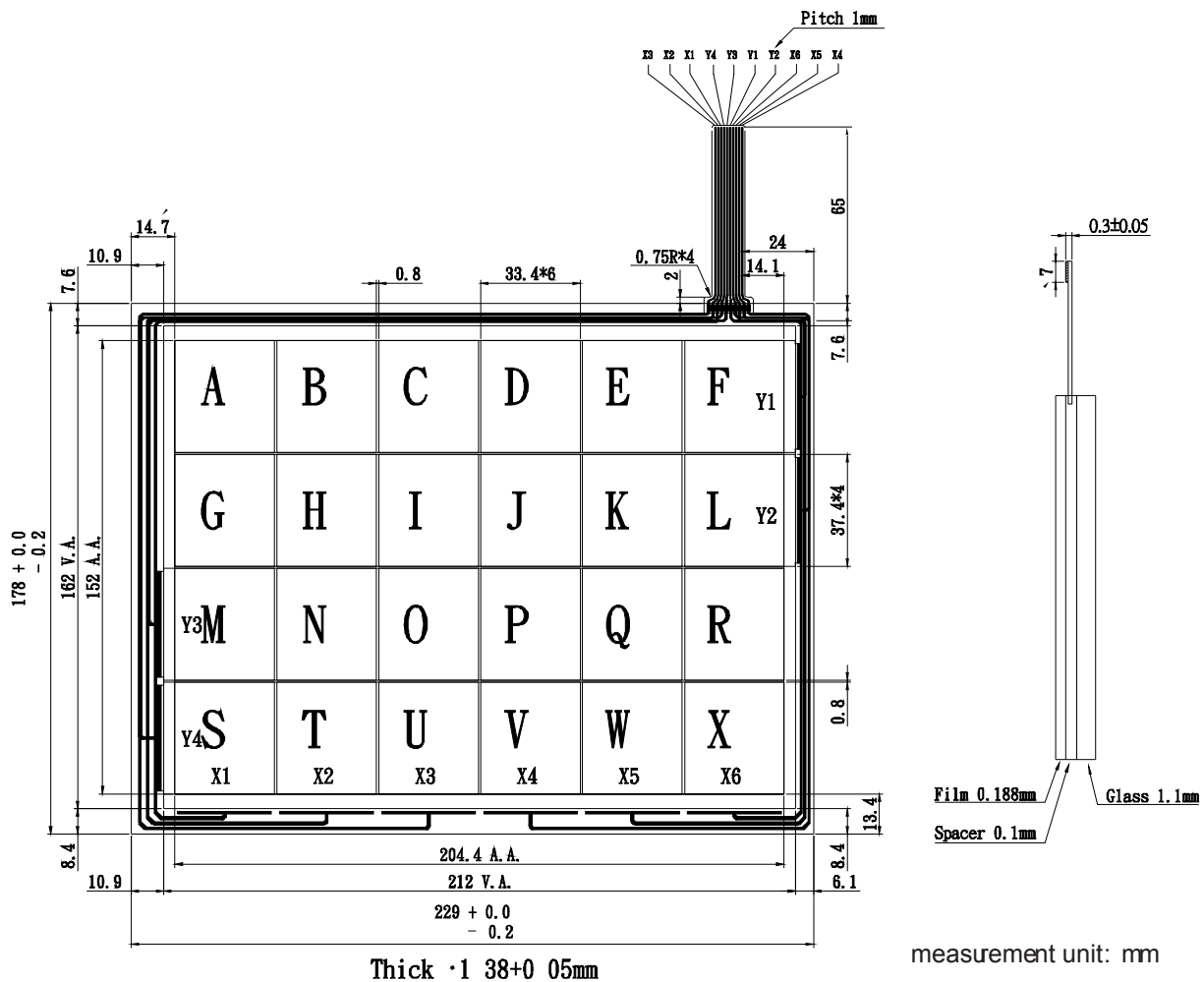
5. TOUCH SCREEN SPECIFICATIONS

For DV-66104T (DV-66104 unit with built-in touchscreen)

ITO Film	280Ω/SQ, Anti-Glare, 0.188mm thickness
ITO Glass	110Ω/SQ, 1.1mm thickness
Tail	FPC, ITO Glass
Operating Resistance	≤3.5k ohm
Insulating Resistance	≥20M ohm
Transparency	> 70%
Hardness	≤ 3H, ITO film
Voltage	DC 0 ~ 5 V, 30mA
FPC Peeling Strength	≤ 700 gram
Actuation Force	> 100 gram
Life	≥1000000 times
Operating Temperature	14°F ~ 140°F, 50±30R. H
Storage Temperature	-4°F ~ 158°F, 50±30R. H

Pin Assignment

Pin	X1	X2	X3	X4	X5	X6
Y1	A	B	C	D	E	F
Y2	G	H	I	J	K	L
Y3	M	N	O	P	Q	R
Y4	S	T	U	V	W	X



6. DV-66104 SPECIFICATIONS

System Type	Digital Audio/Video playback
Format	MPEG-1 (VCD), MPEG-2 (DVD), JPEG, MP3
Dimension	W/housing: 11.2" (L) x 7.8" (W) x 2" (H); board level: 6" x 4"
Power Consumption	17 Watts
Power Supply	Universal Switching Power Supply Input AC 100/240V, Output DC 12V/3A
Operating Current	1.42Amps @ 12V
Operating Voltage	12 VDC
Video Output	NTSC/PAL
Audio Output	Stereo (line level)
Storage Format	High Speed CompactFlash® Card (min. 40x or up) 1 x Data transfer rate means 150 KB per second
Storage Capacity	128MB up to 1GB CompactFlash®
Est. Max. Playback	256M CF is at least 7.5 minutes. 512M CF is at least 15 minutes. 1GB CF is at least 30 minutes

The information in this document is subject to change without notice.

For more information about DV-66104 or its optional accessories, please visit our website at <http://www.medeawiz.com/>
Or e-mail us at support@medeawiz.com

Copyright©2004 MedeaWiz Corporation
All rights reserved.



18688 San Jose Ave., Industry, CA 91748 (USA)
Tel: 626-839-1488 • Fax: 626-839-7038
www.medeawiz.com

Distributed and supported in Europe by

Imagine Graphics Ltd., 14 Alban Park, Hatfield Road, St. Albans, AL4 0JJ, UK.

Tel: +44 (0)1727 844744, Fax: +44 (0)1727 811660

email: sales@imaginegraphics.co.uk web: www.imaginegraphics.co.uk