



For Powerful Digital Marketing and Total Multimedia Solution

DV-6664 & DV-6664T

User's Guide version 1.0

Acknowledgements

The MedeaWiz logo and DV-6664 are trademarks of MedeaWiz Corporation. All other trademarks or registered trademarks are acknowledged as the exclusive property of their respective owners.

Notice

The information contained in this document is subject to change without notice.

MedeaWiz Corporation makes no warranty of any kind with regard to this material, including, but not limited to, the implied warranty of merchantability and fitness for a particular purpose.

MedeaWiz shall not be liable for any errors or for incidental or consequential damages in connection with the furnishing, performance, or use of this material.

All rights reserved. Reproduction, adaptation, or translation of this manual is prohibited without prior written permission of MedeaWiz Corporation, except as allowed under copyright laws.

No part of this document may be photocopied, reproduced, or translated to another language without the prior written consent of MedeaWiz Corporation.

© MedeaWiz Corporation 2004

Distributed and supported in Europe by

Imagine Graphics Ltd., 14 Alban Park, Hatfield Road, St. Albans, AL4 0JJ, UK.

Tel: +44 (0)1727 844744, Fax: +44 (0)1727 811660

email: sales@imaginegraphics.co.uk web: www.imaginegraphics.co.uk

Table of Contents

| | |
|--|----|
| 1. INTRODUCTION | 1 |
| 1.1 Package Contents | 1 |
| 1.2 Features | 1 |
| 2. SETTING UP YOUR DV-6664..... | 2 |
| Step 1. How to program the contents to your CompactFlash® card | 2 |
| Step 2. Insert Hi-Speed CompactFlash® Card into DV-6664..... | 3 |
| Step 3. Connect your DV-6664 to other display device (optional)..... | 3 |
| Step 4. Turn on the display device (optional) | 4 |
| Step 5. Plug in the power | 4 |
| 3. USING YOUR DV-6664 | 5 |
| 3.1 Control panel outlook | 5 |
| Button Switches | 5 |
| DIP Switches | 6 |
| Control Switches | 6 |
| 3.2 Using the controls | 7 |
| 3.3 Mounting mechanism | 8 |
| 4. INTRODUCING DV-6664 ACCESSORIES (OPTIONAL)..... | 9 |
| 4.1 DV-66K, Keypad Controller..... | 9 |
| 4.2 DV-66U, Universal Controller..... | 9 |
| 4.3 DV-66F, Function Selector..... | 9 |
| 5. TOUCH SCREEN SPECIFICATIONS | 10 |
| 6. DV-6664 SPECIFICATIONS | 11 |

1. INTRODUCTION

DV-6664 is a compact and rugged solution that features our reliable DV-66 MPEG-2 Player linked to a crisp 6.4" TFT-LCD. It can be programmed up to 14 minutes of video (with 512MB CF card), and up to 99 tracks. It is small and light enough to be wall mounted or integrated into a full size kiosk. DV-6664 provides high quality hardware solution at an affordable price. The unit is available with or without touch panel.

DV-6664 - w/out touch screen feature

DV-6664T - with touch screen, see page 10 for touch screen specification.

1.1 Package Contents

- DV-6664 MPEG-2 Digital Player
- AC adapter
- Video/Audio cable
- Four mounting plates



1.2 Features

- 6.4" TFT LCD display
- Touch screen option
- Supports multiple format support: MPEG-2, MPEG-1, MP3, and JPEG
- Repeat or Menu modes available
- Multiple track selection, up to 99 tracks
- Instant track response
- Stereo audio output
- Auto-start on power on

2. SETTING UP YOUR DV-6664

Step 1. How to program the contents to your CompactFlash® card

In order to setup your content to work with the DV-6664 you must have a **high speed CompactFlash®** card. To integrate your media content (MPEG-1, MPEG-2, MP3, or JPEGs) you will need to use a CompactFlash® reader with your computer to load the appropriate files and setup; see programming below for more details.



Connect your card reader to your PC (note: be sure that the card reader driver is installed) and insert the CompactFlash® card (we recommend 128 MB minimum) into the reader. To program your multimedia content on to the media card, open the file manager and copy the files to the card reader drive.

The DV-66 utilizes a **three-digit numeric ID** system for programming your content tracks, so you will need to number your tracks using this system. Please note that you can keep your track descriptions as well. There are two types of play modes, **MENU** and **REPEAT**, which determine what number is the first track.

For instance, in the **MENU mode the first track is 000**, which is the looping track. For the **REPEAT mode the first track is 001**.

Menu mode: This is the factory default mode. Track 000 is the looping track for your menu file and it will continue to play until another track is selected from a push button or touch screen input device.

To switch from Repeat mode back to Menu mode, please depress & hold switch button #1, then plug in the power until the unit start initialing, then the unit will be setup to play files as “menu mode”. Switch button #1 can be located either on the touch screen (if used) or on the DV-66K (keypad controller, sold separately).

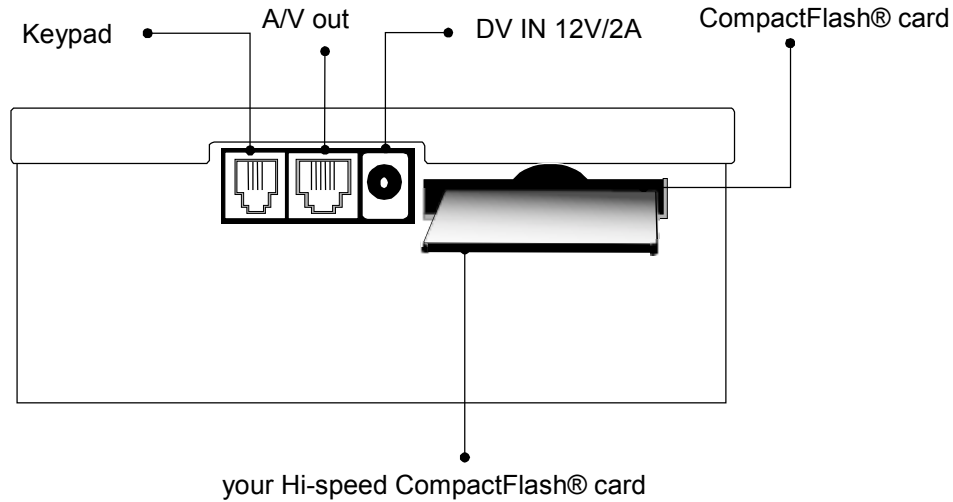
Repeat mode: To change to repeat mode, please depress & hold switch button #2 then plug in the power until the unit start initialing. Repeat mode will play in sequence, one track at a time in numeric order, and after the last track it will start with track 001 again.

Note:

Setup changes will be saved on the flash memory, so the selection made will not change when the power is off.

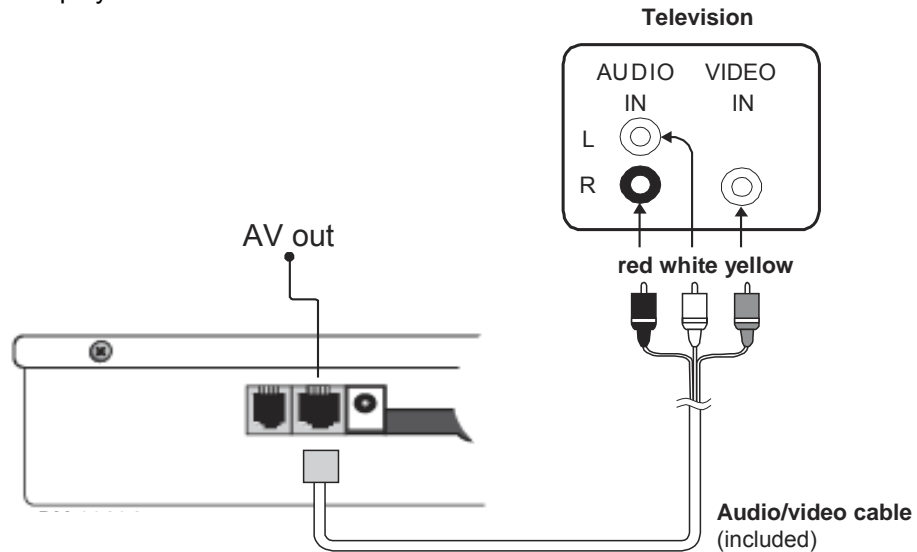
Step 2. Insert Hi-Speed CompactFlash® Card into DV-6664

Caution: DO NOT plug in the power before the CompactFlash® Card is inserted into DV-6664 card slot. MedeaWiz recommends that the CompactFlash® Card to be inserted into the slot first, and then the power can be applied to the unit as described later.



Step 3. Connect your DV-6664 to other display device (optional)

Simply connect DV-6664 to any video display such as a PC monitor or TV with A/V inputs, and you can start watching the video clips stored on your CompactFlash® Card. You can control the track selection with the optional DV-66K Keypad Controller, and it gives you the ability to control up to 99 tracks on the DV-66 player.



Note: Normally the A/V inputs are located in the back of a TV or VCR. For more instructions on how to use A/V input on your displaying device, consult the manual for the device.

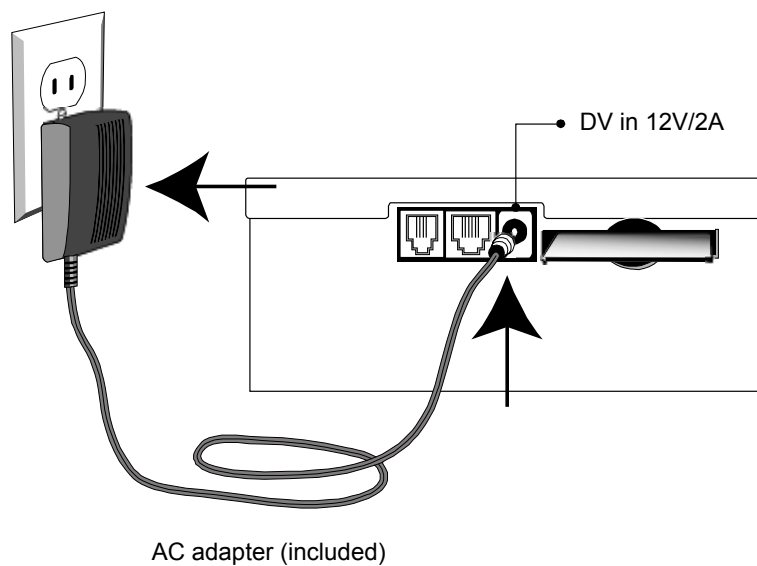
Step 4. Turn on the display device (optional)

Turn on the display device and change the channel to the corresponding A/V input channel if necessary. Please see the manual of your display device for further instruction.

Step 5. Plug in the power

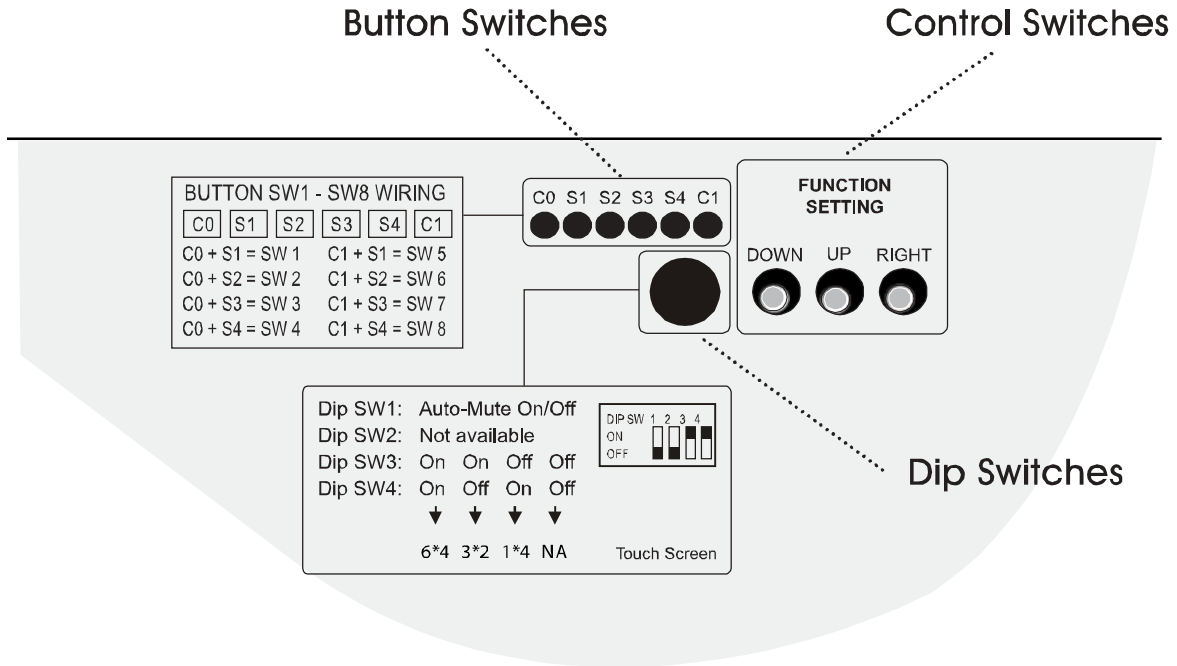
You are one step away from playing your media files on DV-6664! Just plug in the included power adapter and the DV-6664 will automatically start playing the first video clip on the *CompactFlash*® Card!

Note: Make sure that you have inserted the CompactFlash® Card correctly, and its content meets DV-66's specifications.



3. USING YOUR DV-6664

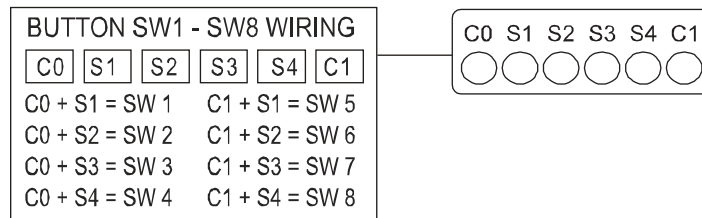
3.1 Control panel outlook



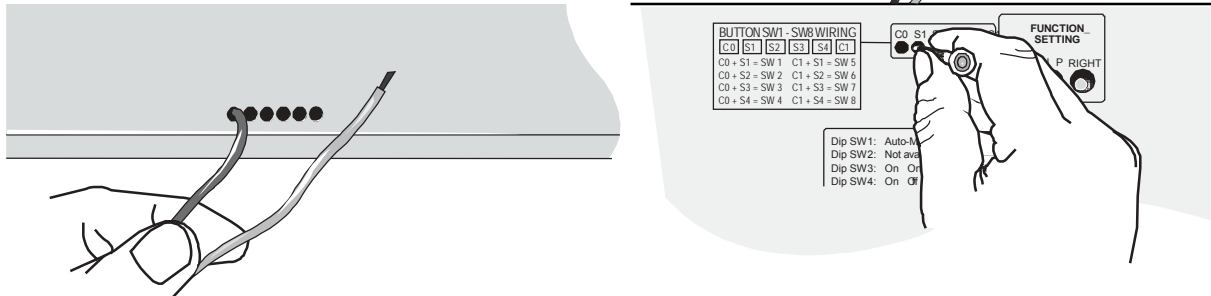
BUTTON SWITCHES

With the button switches, you can have an external set of buttons or control pad.

Note: only 8 tracks are supported in the mode.



Wires are fed through the holes located on top of the metal housing.



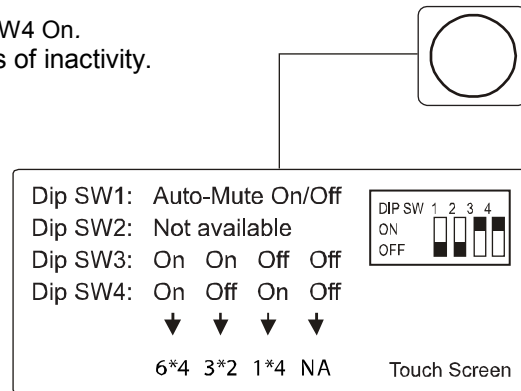
Fixing the wires by fasten the screws on the wiring socket.

DIP SWITCHES

With the DIP switches, you can control “Auto-mute On/Off,” and configure the touch screen to have 4, 6, or 24 tracks.

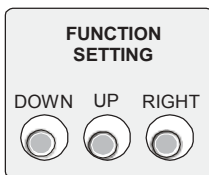
Note: The default setting is SW1 & SW2 off; SW3 & SW4 On.

Note: Auto-mute will disable sound after 5 minutes of inactivity.



CONTROL SWITCHES

The control buttons control **volume, brightness, contrast, color, tint, misc** (speaker on/off, revolve direction and reset picture).



RIGHT – Press once to see the available setting options then keep on press for item selection.

UP & DOWN – Press to increase or decrease the property parameter or go to the desire setting options.

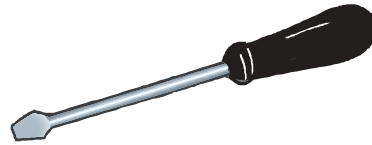
3.2 Using the controls

After turn on DV-6664, you can start controlling its various options by following the steps below.

Step 1.

You will need a small screwdriver or any similar type of tool to reach the controls of DV-6664.

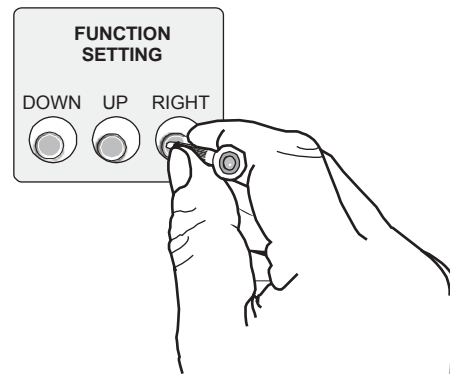
Note: A tool is not included in the DV-6664 package. A small screwdriver like the one shown in the picture will do.



Step 2.

Determine which control you like to configure, see [Control Switches](#) in page 6.

CAUTION: The button only requires a light touch. Do not press too hard on the button. MedeaWiz is not responsible for any damages caused by the abuse.



Step 3.

After pressing the "RIGHT" button, a menu will appear on the LCD display against whatever video image is playing at the time.

Go to the option that you would like to change by pressing the "RIGHT" button again and cycle through the options.



Note: If you would like to go to the "MISC" menu, press the "RIGHT" button until "MISC" is selected on the screen, and press either "UP" or "DOWN" button to enter the "MISC" menu. The "MISC" menu will have the options as shown below.



Step 4.

When an option is selected, use the "UP" and "DOWN" buttons to change the properties of each option.

Step 5.

When the changes are completed, press the “RIGHT” button and cycle to “EXIT” on screen, then press either “UP” or “DOWN” to exit the menu. Or you can press the “EXIT” button to exit the menu.

Note: The menu will also automatically exit after 5 seconds of inactivity.

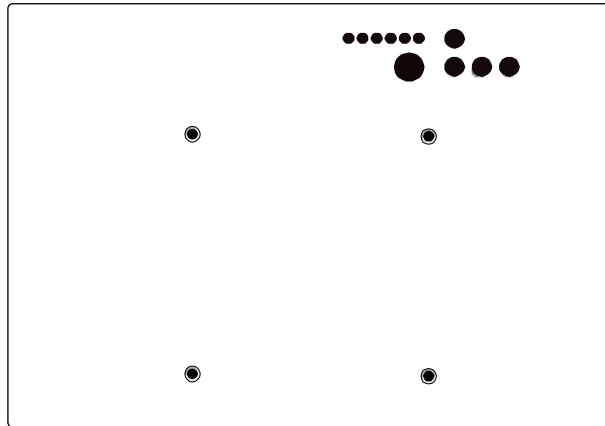
CAUTION: Any changes will not be saved if power is turned off before the menu is properly exited.

CAUTION: Use carefully when making any setting changes, MedeaWiz is not responsible for any damages that you made during the operations described in this chapter.

3.3 Mounting mechanism

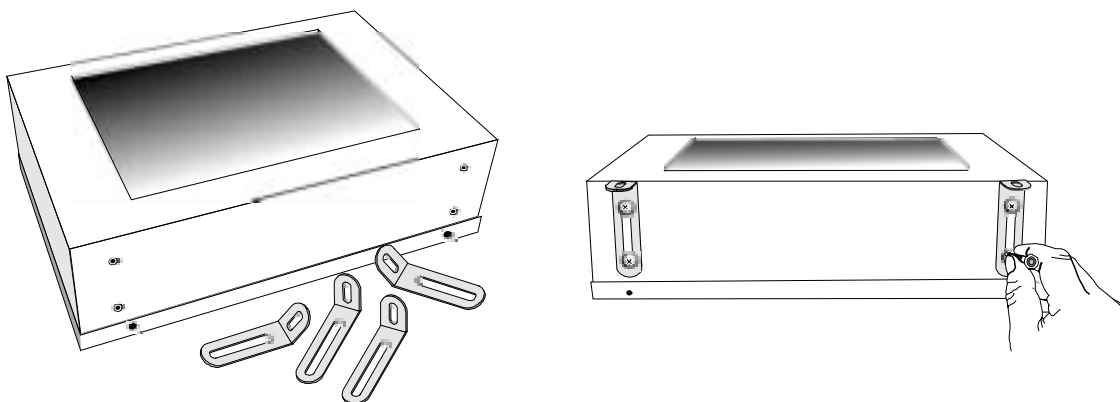
Mechanism 1.

Four M4 nuts (pitch 75x75mm) mounted can be found on the back of DV-6664 housing to fit standard LCD mounting bracket for rear mounting.



Mechanism 2.

Four mounting plates (included) allow front mounting to fit all kiosk cases.



4. INTRODUCING DV-6664 ACCESSORIES (OPTIONAL)

4.1 DV-66K, Keypad Controller

The required interface for connecting and controlling the DV-6664 player with an external input device, such as push buttons. There are eight buttons per controller. 4800 baud rate.



4.2 DV-66U, Universal Controller

The required interface for connecting the DV-6664 player with an analog touch screen. There are eight switch buttons per controller. 4800 baud rate.

CAUTION: Analog touch screen used with DV-66U is subject to any dimension of the standard 4-wire resistive type touch screen; it is different with the matrix type touch screen built in the DV-66104 unit



4.3 DV-66F, Function Selector

The function selector provides the custom options available on the DV-66 (4800 baud rate), which include:

- OSD - on or off
- Repeat or Menu mode
- VGA or Composite video output
- Volume - up and down



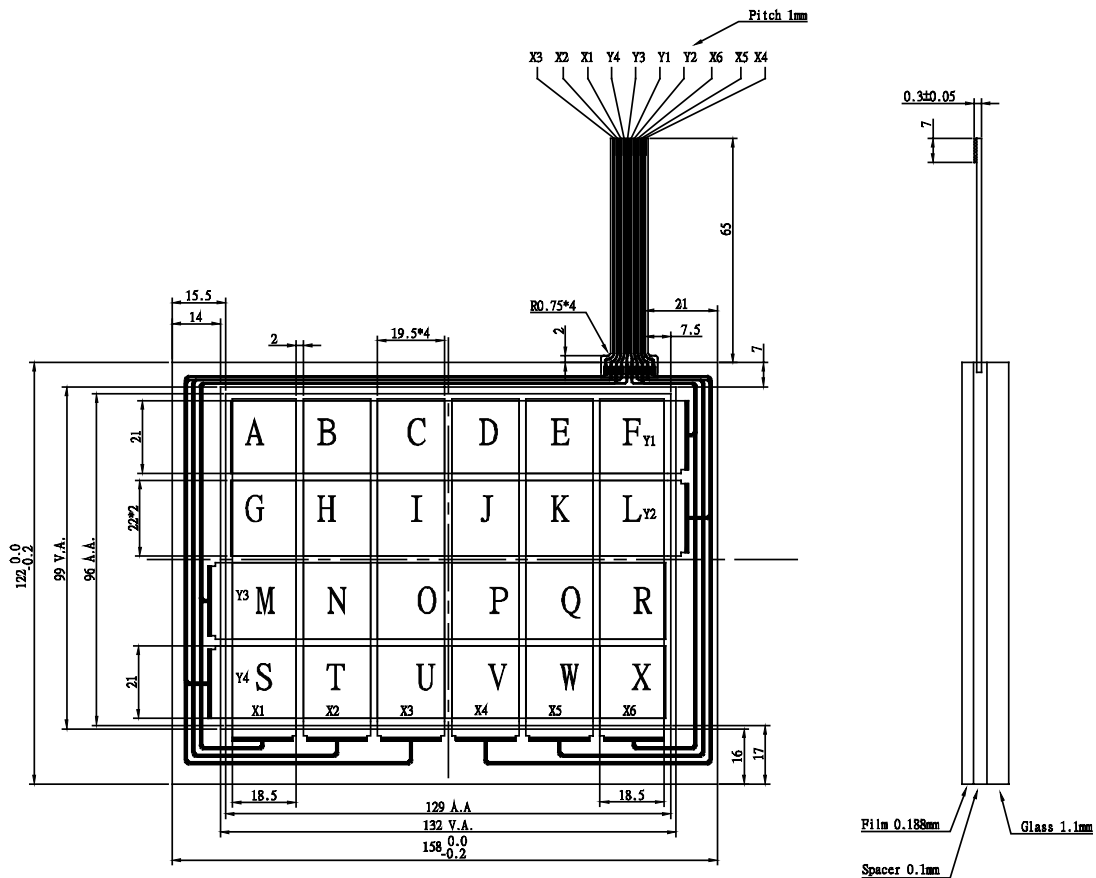
5. TOUCH SCREEN SPECIFICATIONS

For DV-6664T (DV-6664 unit with built-in touchscreen)

| | |
|-----------------------|--|
| ITO Film | 280Ω/SQ, Anti-Glare, 0.188mm thickness |
| ITO Glass | 110Ω/SQ, 1.1mm thickness |
| Tail | FPC, ITO Glass |
| Operating Resistance | ≤3.5k ohm |
| Insulating Resistance | ≥20M ohm |
| Transparency | > 70% |
| Hardness | ≤ 3H, ITO film |
| Voltage | DC 0 ~ 5 V, 30mA |
| FPC Peeling Strength | ≤ 700 gram |
| Actuation Force | > 100 gram |
| Life | ≥1000000 times |
| Operating Temperature | 14°F ~ 140°F, 50±30R. H |
| Storage Temperature | -4°F ~ 158°F, 50±30R. H |

Pin Assignment

| Pin | X1 | X2 | X3 | X4 | X5 | X6 |
|-----|----|----|----|----|----|----|
| Y1 | A | B | C | D | E | F |
| Y2 | G | H | I | J | K | L |
| Y3 | M | N | O | P | Q | R |
| Y4 | S | T | U | V | W | X |



Thick :1.38±0.05mm

6. DV-6664 SPECIFICATIONS

| | |
|--------------------|--|
| System Type | Digital Audio/Video playback |
| Format | MPEG-1 (VCD), MPEG-2(DVD), JPEG, MP3 |
| Dimension | W/housing: 6.25"(L) x 4.25"(W) x 1.25"(H) ; board level: 6" x 4" |
| Power Consumption | 13.5 Watts |
| Power Supply | Universal Switching Power Supply Input AC 100/240V, Output DC 12V/2A |
| Operating Current | 1.125Amps @ 12V |
| Operating Voltage | 12 VDC |
| Video Output | NTSC/PAL |
| Audio Output | Stereo (line level) |
| Storage Format | High Speed CompactFlash® Card (min. 40x or up) 1 x Data transfer rate means 150 KB per second |
| Storage Capacity | 128MB up to 1GB CompactFlash® |
| Est. Max. Playback | 256M CF is at least 7.5 minutes. 512M CF is at least 15 minutes. 1GB CF is at least 30 minutes |

The information in this document is subject to change without notice.

For more information about DV-6664 or its optional accessories,
please visit our website at <http://www.medeawiz.com/>
Or e-mail us at support@medeawiz.com

Copyright©2004 MedeaWiz Corporation. All rights reserved.



18688 San Jose Ave., Industry, CA 91748 (USA)
Tel: 626-839-1488 • Fax: 626-839-7038
www.medeawiz.com

Distributed and supported in Europe by

Imagine Graphics Ltd., 14 Alban Park, Hatfield Road, St. Albans, AL4 0JJ, UK.

Tel: +44 (0)1727 844744, Fax: +44 (0)1727 811660

email: sales@imaginegraphics.co.uk web: www.imaginegraphics.co.uk