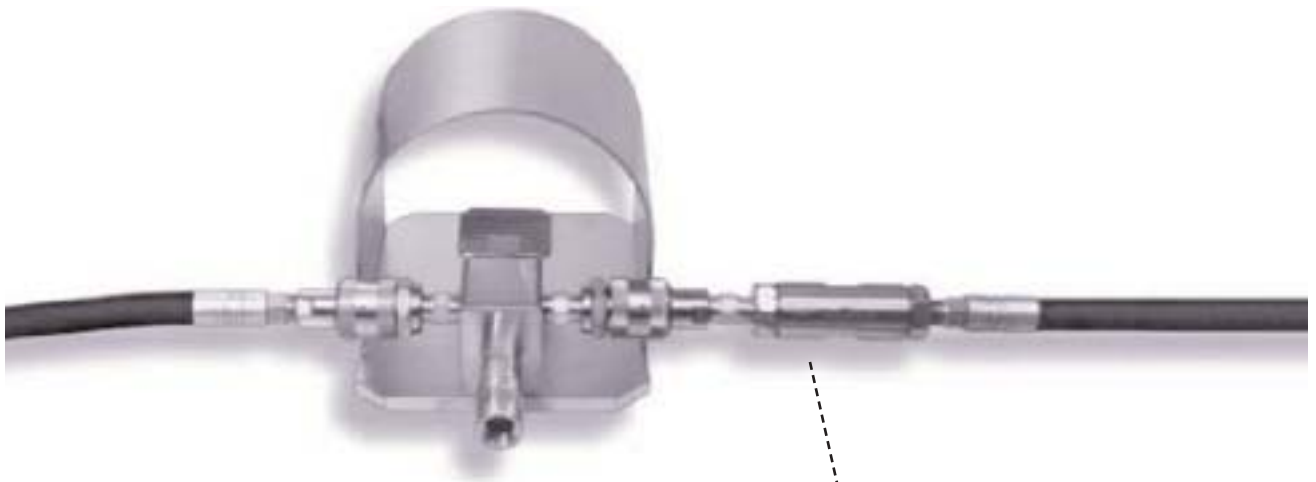


# Foot Valve Accessories

## Strain Relief Whip Hoses

Helps prevent failure of flex lance caused by strain and kinking at the flex lance end fitting. The Strain Relief Whip Hose absorbs the force which would otherwise be taken by the end fitting on the flex lance. The Strain Relief Whip Hose adapts to any flex lance.



## Safe-Check Dry Shut-Off Valve

Prevents nozzle spray back by stopping all flow to the nozzle when the foot gun is dumping. The valve opens to allow full flow when the foot gun is activated.

