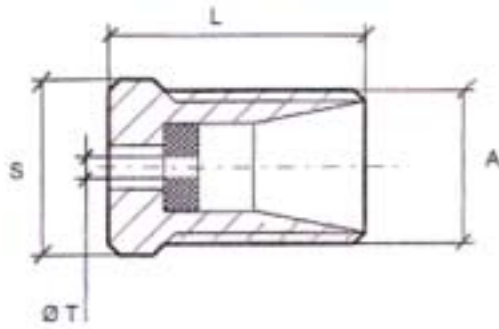


Round Jet Sapphire Nozzles

Type 078 to 084

Material: Stainless Steel and Sapphire

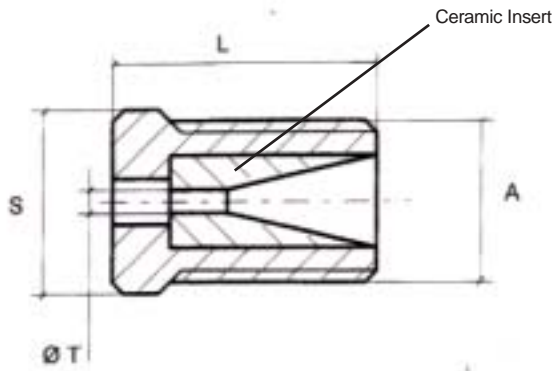


Nozzle Type	Thread (mm) A	Length (mm) L	Hexagon (mm) S	Working Pressure max. bar / PSI	Available Ø (mm) T
084	M 10x1	13.50	10	1,000 / 15,000	0.60 - 4.00
079	M8	10	8	1,000 / 15,000	0.60 - 3.20
078	M6	8	6	1,000 / 15,000	0.60 - 1.50

Round Jet Ceramic Nozzles

Type 1078/ 1079/ 1084

Material: Stainless Steel and Ceramic



Nozzle Type	Thread (mm) A	Length (mm) L	Hexagon (mm) S	Working Pressure max. bar / PSI	Available Ø (mm) T
1084	M 10x1	13.50	10	1,000 / 15,000	0.70 - 4.00
1079	M8	10	7	1,000 / 15,000	0.40 - 3.00
1078	M6	8	5	1,000 / 15,000	0.40 - 3.00