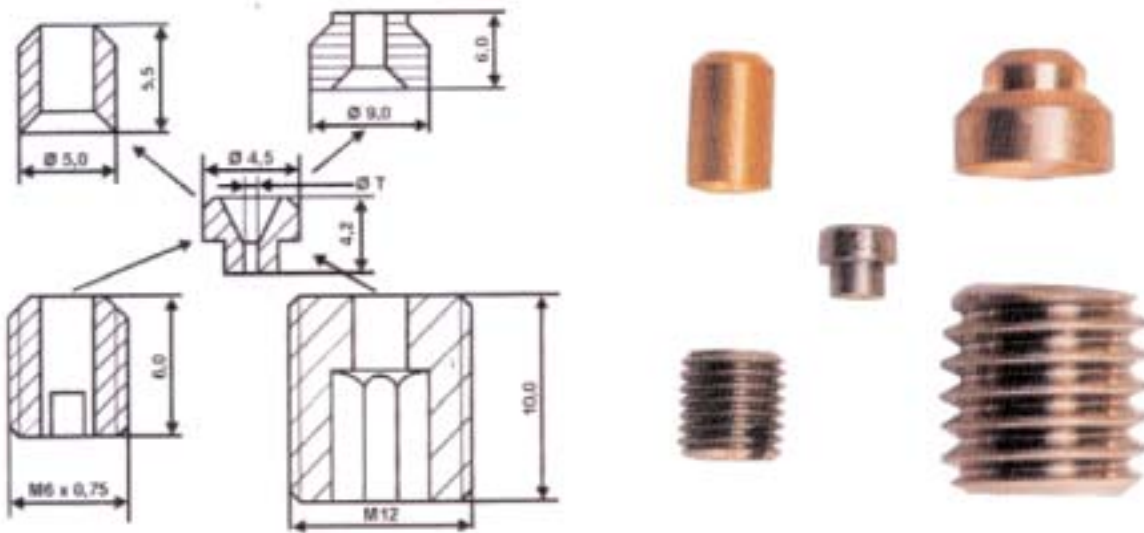


Round jet Sapphire Nozzles

Type 160

Material: Stainless Steel and Sapphire

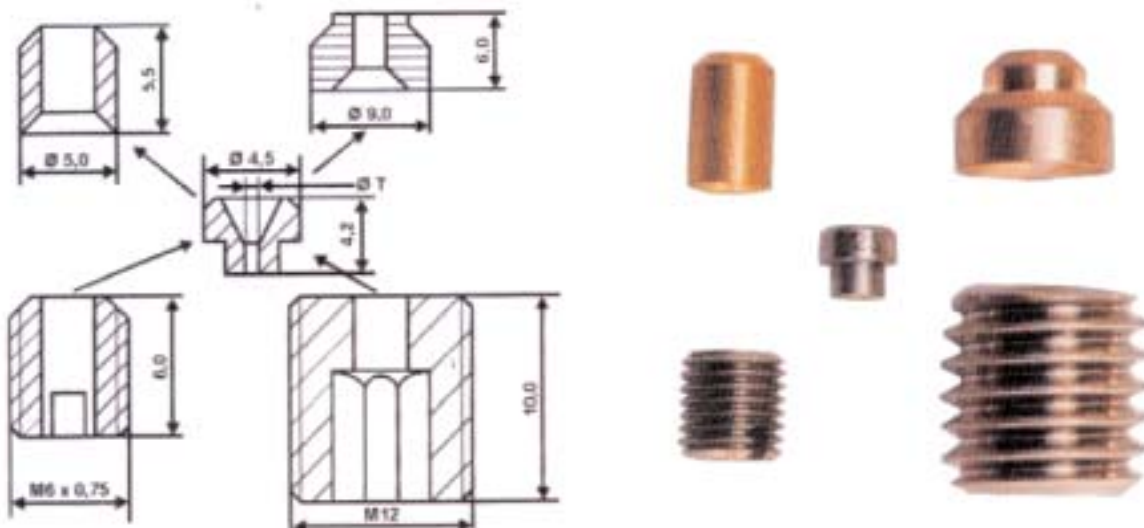


Nozzle Type	Plug	Retaining Screw	Seal	Working Pressure max. bar / PSI	Available Ø (mm) T
160	M6x0.75	M6x0.75	Ø5x5.5	2,500 / 36,000	0.20 - 1.00
160	M12	M12	Ø9x6	2,500 / 36,000	0.20 - 1.00

Round Jet Steel Nozzles

Type 161

Material: Hardened Stainless Steel



Nozzle Type	Plug	Retaining Screw	Seal	Working Pressure max. bar / PSI	Available Ø (mm) T
161	M6x0.75	M6x0.75	Ø5x5.5	2,500 / 36,000	0.25 - 0.40
161	M12	M12	Ø9x6	2,500 / 36,000	0.25 - 0.40