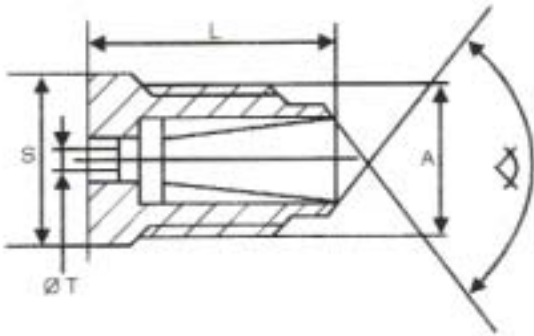


Round Jet Sapphire Nozzles

Type 972/ 982

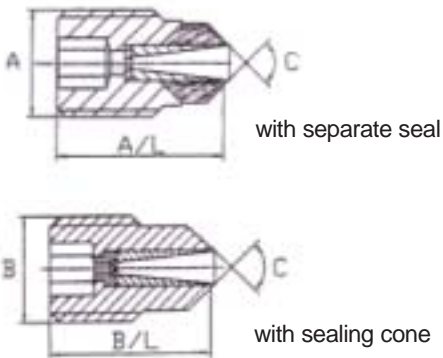
Material: Stainless Steel and Sapphire



Nozzle Type	Thread (mm) A	Length (mm) L	Hexagon S	Cone	Working Pressure max. bar / PSI	Available Ø (mm) T
972	3/8" - 24 UNF	16.8	3/8"	112°	2,700 / 40,000	0.15 - 1.00
982	M8x1	13.0	9.0mm	88°	2,500 / 36,000	0.15 - 1.00

Type 087/ 987/ 122/ 960/ 965

Material: Stainless Steel and Sapphire



Nozzle Type	A	Length (mm) A / L	B	Length (mm) B / L	C	Working Pressure max. bar / PSI	Available Ø (mm) T
087	M8 x 1	16.5			58°	1,500 / 20,000	0.15 - 1.00
987			M8 x 1	12.0	58°	2,000 / 30,000	0.15 - 1.00
122	M12	18.0			88°	2,000 / 30,000	0.15 - 1.00
960	M10	18.6			58°	2,000 / 30,000	0.15 - 1.00
965			M10	18.6	58°	2,500 / 36,000	0.15 - 1.00