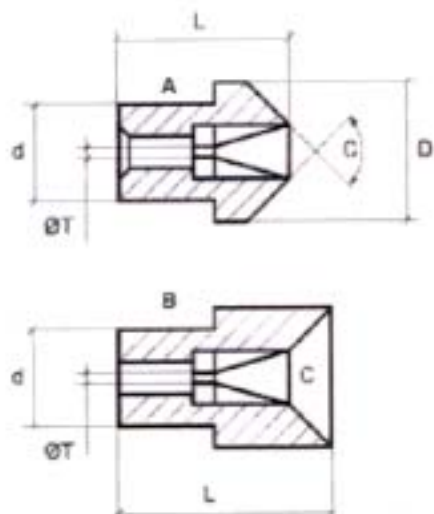


Round Jet Sapphire Nozzles

Type 950/ 952

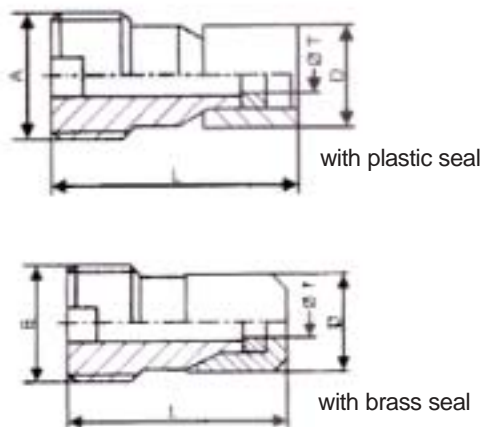
Material: Stainless Steel and Sapphire



Nozzle Type	Execution	Ø (mm) D	Ø (mm) D	Length (mm) L	Cone C	Working Pressure max. bar / PSI	Available Ø (mm) T
950	A	12	8	14.5	90°	3,000 / 43,500	0.20 - 1.50
952	B	12	8	18	60°	3,000 / 43,500	0.20 - 1.50

Type 130/ 131

Material: Stainless Steel and Sapphire



Nozzle Type	Thread A	Thread B	Ø (mm) D	Length (mm) L	Gasket	Working Pressure max. bar / PSI	Available Ø (mm) T
130	M4 x 0.5	-	3.20	7.50	Plastic	2,700 / 40,500	0.20 - 1.00
131	-	M4 x 0.5	3.20	7.50	Brass	2,700 / 40,500	0.20 - 1.00