

Type SISFBB



Rotating Nozzle Type SISFBB

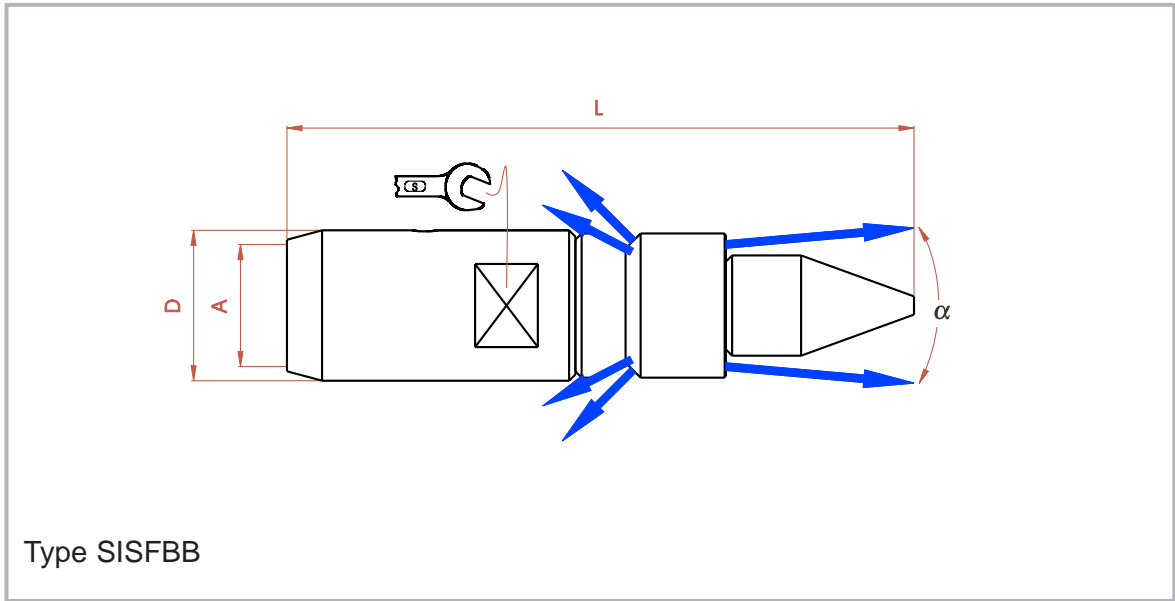
Characteristics:

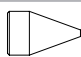
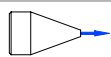
- 4 jets rotating 45° back and 2 jets rotating to the front.
- Suitable for cleaning plugged pipes.
- Can be attached straight onto a flexible hose.
- Available with an extra front jet for increased forward power.

Recommendation:

- If the diameter of the tube is greater than the length of the nozzle, always use a rigid extension lance between the flexible hose and the nozzle.

Notes:



D mm	L mm	S mm	α	A	Part Number		Max. W.P. Bar/PSI		
									
ø10	46	8	10°	M7x1F	6101.310	6101.3101	1000/15.000		
				1/16"NPTF	6101.310116	6101.3101116			
	1/4"UNFMPLHF			6101.31014ML	6101.3101114ML	1500/21.500			
	1/4"UNFMPRHF			6101.31014MR	6101.3101114MR				
	52			5/16"UNFM	6101.310516	6101.3101516	1000/15.000		
ø12	50	10		1/8"BSPF	6101.312	6101.3121	1250/18.000		
				1/8"NPTF	6101.31218	6101.312118			
				3/8"UNFMPLHF	6101.31238ML	6101.312138ML	1500/21.500		
3/8"UNFMPRHF	6101.31238MR	6101.312138MR							
ø16	64	13		1/8"BSPF	6101.316	6101.3161	1000/15.000		
ø18	54	16	1/4"BSPF	6101.318	6101.3181				
			1/4"NPTF	6101.31814	6101.318114				
			9/16"UNFMPLHF	6101.318916ML	6101.3181916ML	1500/21.500			
9/16"UNFMPRHF	6101.318916MR	6101.3181916MR							
ø22	75	19	1/4"BSPF	6101.322	6101.3221	1000/15.000			
			3/8"NPTF	6101.32238N	6101.322138N				
			3/8"BSPF	6101.32238	6101.322138				
ø28	70	25	30°	1/4"BSPF	6101.328	6101.3281	1250/18.000		
	81			1/2"BSPM	6101.328.12M	6101.3281.12M			
	75	26		1/2"NPTF	6101.328.12N	6101.3281.12N			
	81	25		3/8"BSPM	6101.328.38M	6101.3281.38M			
				M24x1,5M	6101.328.24M	6101.3281.24M			
86									
ø40	87	-		40°	M24x1,5F	6101.340.24M		6101.3401.24M	1250/18.000
	114				1/4"BSPF	6101.340.14F		6101.3401.14F	
					1/4"BSPM	6101.340.14M		6101.3401.14M	
	117				3/8"BSPM	6101.340.38M		6101.3401.38M	
			1/2"BSPM		6101.340.12M	6101.3401.12M			
122	27	M24x1,5M	6101.340.24M		6101.3401.24M				

M= Male thread
F= Female thread