

# Type FR



## Rotating Nozzle Type FR

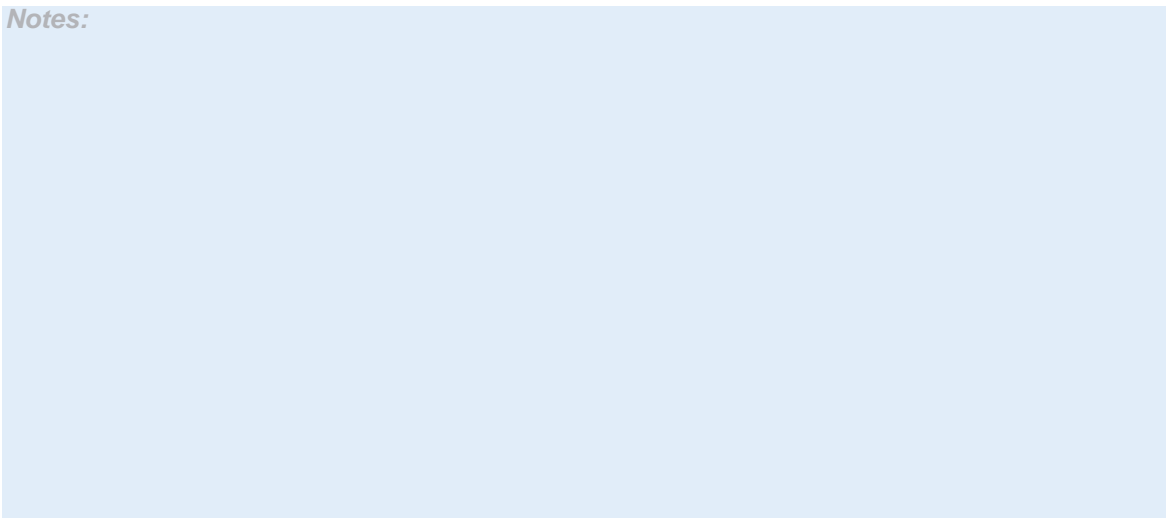
### Characteristics:

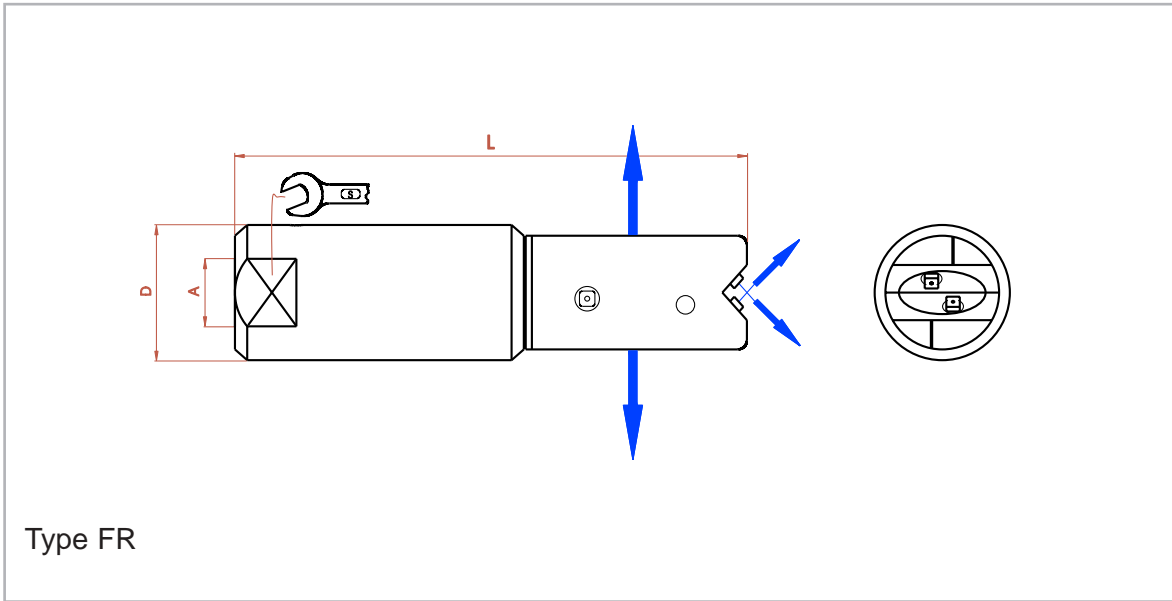
- Secured rotor by way of a hardened steel pin.
- Nozzles 2x85° and rotating in front 2x45°.
- For use on rigid lance as well as flexible hose.
- The FR rotating nozzle is together with the SISF rotating nozzle the most suitable for the removal of tough blockages.


### Recommendation:

- When using a high-pressure hose it is advisable to attach an extra nozzle driver
- Let the nozzle do the work by itself. By incorrect use the pin can wear faster than normal or break.
- If the diameter of the tube is greater than the length of the nozzle, always use a rigid extension lance between the flexible hose and the nozzle.

### Notes:





D mm	L mm	 S mm	A	Part Number	Max. W.P. Bar/PSI
ø12	50	10	1/8"BSPF	6100.112	1000/15.000
ø18	73	16	1/4"BSPF	6100.118	
ø22	83	19	1/4"BSPF	6100.122.0608	
ø31	116	27	M22x1,5F	6100.131	
ø47	165	27	M22x1,5F	6100.147	

M= Male thread  
F= Female thread