

## Type SI



### *Rotating Nozzle Type SI*

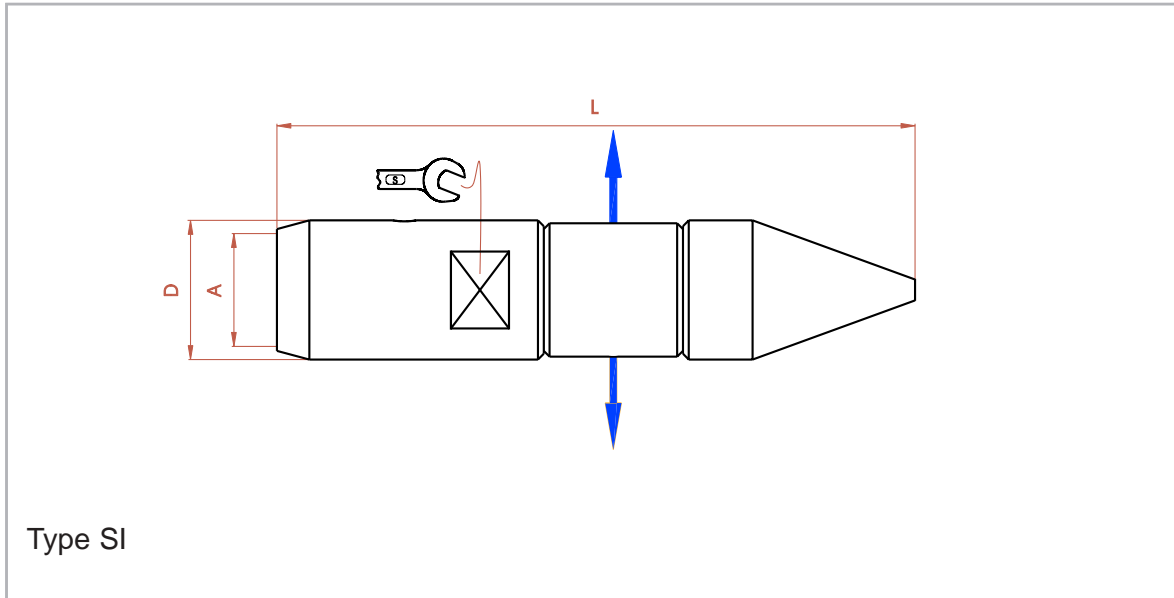
#### *Characteristics:*

- 4 jets rotating 90° to the side.
- Removes hard scalings and tough pollution.
- Suitable as a polishing nozzle.
- Available with one or more front jets to remove any blockages.
- Can be used with non rotating lancing machines and bundle cleaners.

#### *Recommendation:*

- If the diameter of the tube is greater than the length of the nozzle, always use a rigid extension lance between the flexible hose and the nozzle.

#### *Notes:*



D mm	L mm	S mm	A	Part Number			Max. W.P. Bar/PSI
ø6	40	4	M5M	6006.4	6006.41	6006.4105	400/5.700
ø8	43	6	M6F	6008.4	6008.41	6008.4105	
ø10	50		M7x1F	6010.4	6010.41	6010.4106	1000/15.000
			1/16"NPTF	6010.4116	6010.41116	6010.410616	
			1/4"UNFMPLHF	6010.414ML	6010.4114ML	6010.410614ML	1500/21.500
			1/4"UNFMPRHF	6010.414MR	6010.4114MR	6010.410614MR	
	56		5/16"UNFM	6010.4516	6010.41516	6010.4106516	1000/15.000
ø12	55	10	1/8"BSPF	6012.4	6012.41	6012.4106	1250/18.000
			1/8"NPTF	6012.418	6012.4118	6012.410618	
			3/8"UNFMPLHF	6012.438ML	6012.4138ML	6012.410638ML	1500/21.500
			3/8"UNFMPRHF	6012.438MR	6012.4138MR	6012.410638MR	
ø16	71	13	1/8"BSPF	6016.4	6016.41	6016.4106	1000/15.000
ø18	64	16	1/4"BSPF	6018.4	6018.41	6018.4106	
			1/4"NPTF	6018.414	6018.4114	6018.410614	
			9/16"UNFMPLHF	6018.4916ML	6018.41916ML	6018.4106916ML	1500/21.500
			9/16"UNFMPRHF	6018.4916MR	6018.41916MR	6018.4106916MR	
ø22	82	19	1/4"BSPF	6022.4	6022.41	6022.4106	1000/15.000
			3/8"NPTF	6022.438N	6022.4138N	6022.410638N	
			3/8"BSPF	6022.438	6022.4138	6022.410638	
ø28	77	25	1/4"BSPF	6028.4	6028.41	6028.4108	1250/18.000
	88		1/2"BSPM	6028.4.12M	6028.41.12M	6028.4108.12M	
	82		1/2"NPTF	6028.4.12N	6028.41.12N	6028.4108.12N	
	88		3/8"BSPM	6028.4.38M	6028.41.38M	6028.4108.38M	
	93		M22x1,5M	6028.4.22M	6028.41.22M	6028.4108.22M	
ø40	97	27	M24x1,5F	6040.4	6040.41	6040.4108	1250/18.000
			1/4"BSPF	6040.4.14F	6040.41.14F	6040.4108.14F	
	124		1/4"BSPM	6040.4.14M	6040.41.14M	6040.4108.14M	
	127		3/8"BSPM	6040.4.38	6040.41.38	6040.4108.38	
			1/2"BSPM	6040.4.12	6040.41.12	6040.4108.12	
	132	27	M22x1,5M	6040.4.22	6040.41.22	6040.4108.22	

M= Male thread  
F= Female thread