

# Type SIBB



## Rotating Nozzle Type SIBB

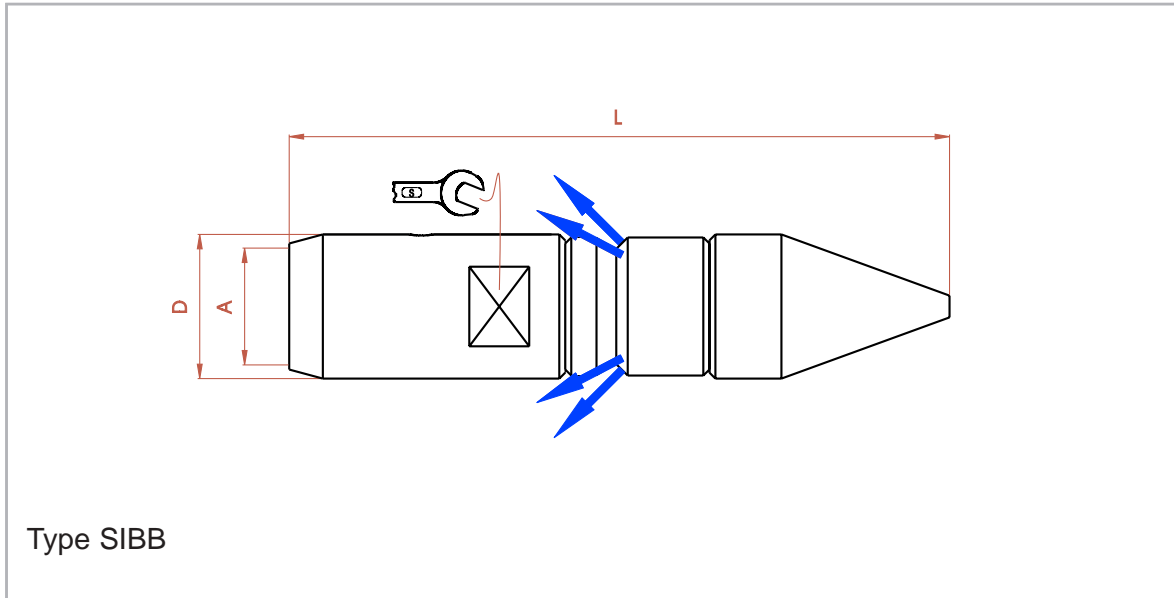
### Characteristics:

- 4 jets 45° back rotating.
- Suitable for light pollution and flushing.
- Easy to use in combination with flexible hoses because of the pulling jets.
- By reversing the rotor, the nozzle can also be used on a rigid lance or lancing machine.

### Recommendation:

- If the diameter of the tube is greater than the length of the nozzle, always use a rigid extension lance between the flexible hose and the nozzle.

### Notes:



D mm	L mm	S mm	A	Part Number			Max. W.P. Bar/PSI
ø6	40	4	M5M	6006	6006.01	6006.0105	400/5.700
ø8	43	6	M6F	6008	6008.01	6008.0105	
ø10	50	8	M7x1F	6010	6010.01	6010.0106	1000/15.000
			1/16"NPTF	6010.116	6010.01116	6010.010616	
			1/4"UNFMPLHF	6010.14ML	6010.0114ML	6010.010614ML	1500/21.500
			1/4"UNFMPRHF	6010.14MR	6010.0114MR	6010.010614MR	
	56		5/16"UNFM	6010.516	6010.01516	6010.0106516	1000/15.000
ø12	55	10	1/8"BSPF	6012	6012.01	6012.0106	1250/18.000
			1/8"NPTF	6012.18	6012.0118	6012.010618	
			3/8"UNFMPLHF	6012.38ML	6012.0138ML	6012.010638ML	1500/21.500
			3/8"UNFMPRHF	6012.38MR	6012.0138MR	6012.010638MR	
ø16	71	13	1/8"BSPF	6016	6016.01	6016.0106	1000/15.000
ø18	64	16	1/4"BSPF	6018	6018.01	6018.0106	
			1/4"NPTF	6018.14	6018.0114	6018.010614	
			9/16"UNFMPLHF	6018.916ML	6018.01916ML	6018.0106916ML	1500/21.500
			9/16"UNFMPRHF	6018.916MR	6018.01916MR	6018.0106916MR	
ø22	82	19	1/4"BSPF	6022	6022.01	6022.0106	1000/15.000
			3/8"NPTF	6022.38N	6022.0138N	6022.010638N	
			3/8"BSPF	6022.38	6022.0138	6022.010638	
ø28	77	25	1/4"BSPF	6028	6028.01	6028.0108	1250/18.000
	88		1/2"BSPM	6028.12M	6028.01.12M	6028.0108.12M	
	82	26	1/2"NPTF	6028.12N	6028.01.12N	6028.0108.12N	
	88	25	3/8"BSPM	6028.38M	6028.01.38M	6028.0108.38M	
	93		M22x1,5M	6028.22M	6028.01.22M	6028.0108.22M	
ø40	97	-	M24x1,5F	6040	6040.01	6040.0108	1250/18.000
	124		1/4"BSPF	6040.14F	6040.01.14F	6040.0108.14F	
	127	27	1/4"BSPM	6040.14M	6040.01.14M	6040.0108.14M	
			3/8"BSPM	6040.38	6040.01.38	6040.0108.38	
			1/2"BSPM	6040.12	6040.01.12	6040.0108.12	
132	27	M22x1,5M	6040.22	6040.01.22	6040.0108.22		

M= Male thread  
F= Female thread