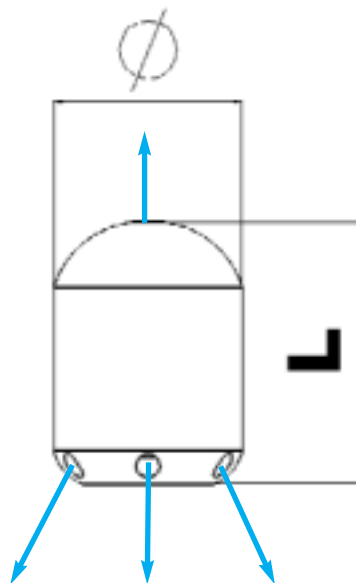
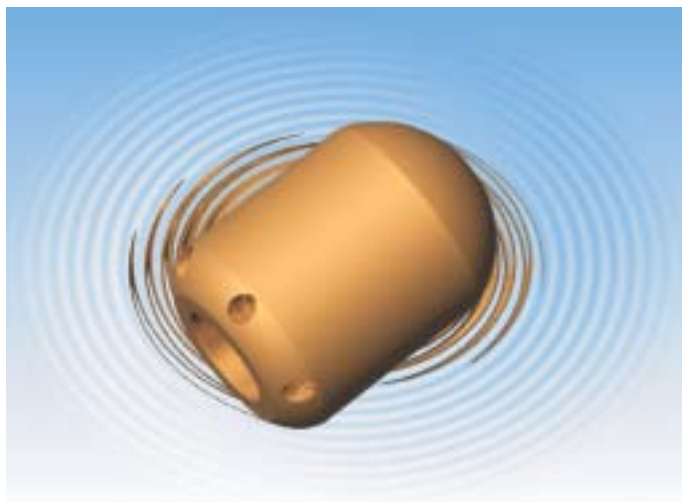


Mini Bomb Nozzles

Mini Bomb-Nozzles made of stainless steel achieve outstanding thrust force and cleaning performance due to the deflection of the flow. They are suitable for small sewers with heavily soiled pipes and long lengths.



Order No.	Designation	Weight (Kg)	Dimensions L x Ø (mm)	Connection	Inserts	Scope of Application (Ø mm)
0901	Z 253	0.08	32x25	1/8"	RS 4 x drilled	40+
0902	Z 254	0.10	40x30	1/4"	RS 5 x drilled	60+
0903	Z 255	0.10	40x30	1/4"	VS 1 x M4x1 RS 6 x M4 x 0.7 VA/Ceramic/Sapphire	60+
0904	Z 501	0.25	38x40	1/2"	VS 1 x M6x1 RS 6 x M4 x 0.7 VA/Ceramic/Sapphire	80+
0905	Z 502	0.30	55x40	1/2"	VS 1 x M6x1 RS 6 x M4 x 0.7 VA/Ceramic/Sapphire	80+

VA= Stainless Steel

VS= Forward jet

RS= Backward jet

The angles of the jets are 20° backward.