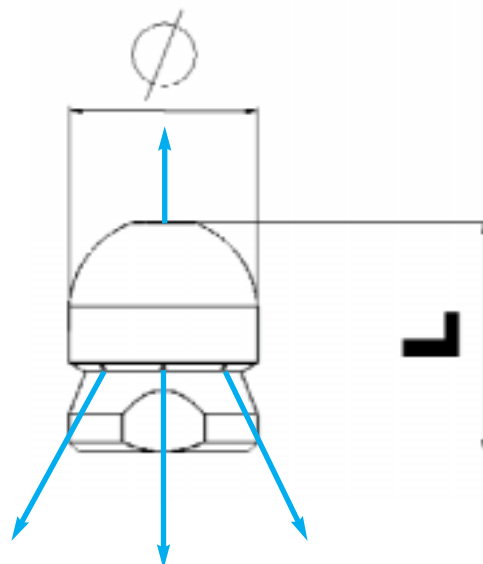
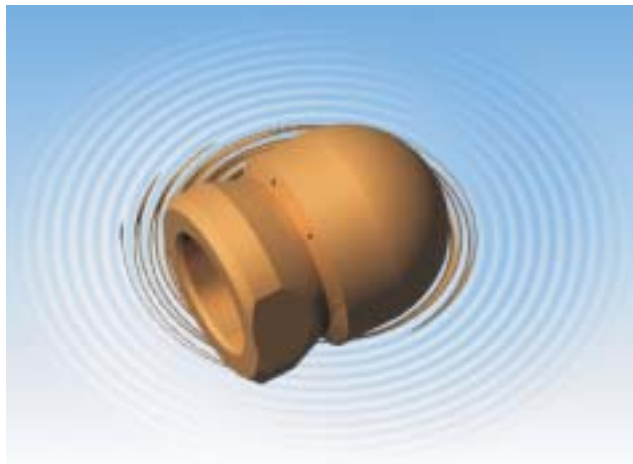


Sewer & Pipe Cleaning Nozzles

Hardened Steel

Long-life sewer and Pipe cleaning nozzles of hardened steel. They are suitable for removing mud deposits and obstructions.



Order No.	Designation	Weight (Kg)	Dimensions L x Ø (mm)	Connection	Inserts	Scope of Application (Ø mm)
1101	KR 08	0.15	40x30	1/2"	VS 1 x M6x1 Ceramic RS 6 x drilled	60+
1102	KR 08	0.15	40x30	1/2"	VS 1 x M6x1 Ceramic RS 8 x drilled	60+
1103	KR 09	0.20	50x30	1/2"	VS 1 x M6x1 Ceramic RS 6 x drilled	70+
1104	KR 09	0.20	50x30	1/2"	VS 1 x M6x1 Ceramic RS 8 x drilled	70+
1105	KR 10	0.30	50x40	3/4"	VS 1 x M6x1 Ceramic RS 8 x drilled	100+
1106	KR 11	0.35	65x40	3/4"	VS 1 x M6x1 Ceramic RS 8 x drilled	100+
1107	KR 12	0.40	60x50	1"	VS 1 x M6x1 Ceramic RS 10 x drilled	150+
1108	KR 13	0.50	80x50	1"	VS 1 x M6x1 Ceramic RS 10 x drilled	150+
1109	KR 14	0.95	100x60	1 1/4"	VS 1 x M6x1 Ceramic RS 10 x drilled	200+
1110	KR 15	11/2	115x70	1 1/2"	VS 1 x M6x1 Ceramic RS 12 x drilled	200+

VS= Forward jet RS= Backward jet

The angles for the backward jet are for all nozzles 30°.

Sewer & Pipe Cleaning Nozzles

Stainless Steel (VA)

Order No.	Designation	Weight (Kg)	Dimensions L x Ø (mm)	Connection	Inserts	Scope of Application (Ø mm)
1151	KR 01VA	0.08	418x16	1/8"	VS 1 x drilled RS 3 x drilled	30+
1152	KR 02VA	0.08	18x18	1/4"	VS 1 x drilled RS 3 x drilled	30+
1153	KR 03VA	0.08	18x18	1/4"	VS 1 x drilled RS 6 x drilled	30+
1154	KR 04VA	0.09	30x17	1/4"	VS 1 x drilled RS 3 x drilled	50+
1155	KR 05VA	0.09	30x17	1/4"	VS 1 x drilled RS 6 x drilled	50+
1156	KR 07VA	0.10	35x25	3/8"	VS 1 x drilled RS 6 x drilled	50+
1157	KR 08VA	0.15	40x30	1/2"	VS 1 x M6x1 K RS 6 x drilled	60+
1158	KR 08VA	0.15	40x30	1/2"	VS 1 x M6x1 K RS 8 x drilled	60+
1159	KR 09VA	0.20	50x30	1/2"	VS 1 x M6x1 K RS 6 x drilled	70+
1160	KR 09VA	0.20	50x30	1/2"	VS 1 x M6x1 K RS 8 x drilled	70+
1161	KR 10VA	0.30	50x40	3/4"	VS 1 x M6x1 K RS 8 x drilled	100+
1162	KR 11VA	0.35	65x40	3/4"	VS 1 x M6x1 K RS 8 x drilled	100+

VS= Forward jet RS= Backward jet

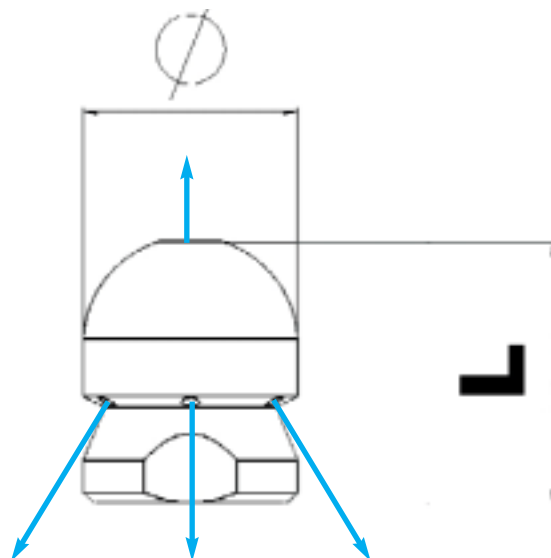
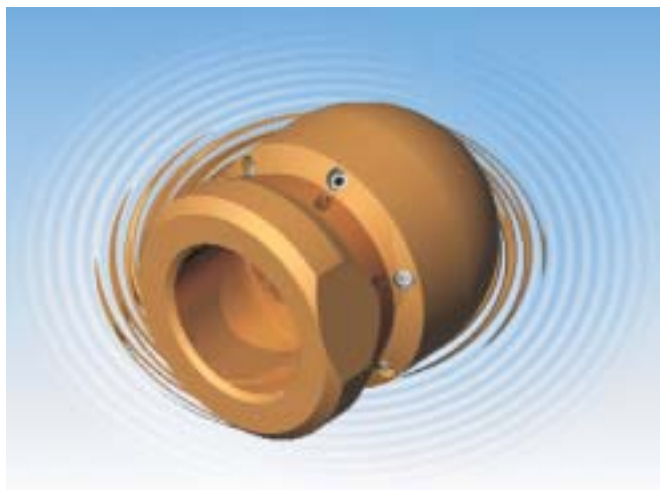
The angles for the backward jet are for all nozzles 30°.

Sewer & Pipe Cleaning Nozzles

Water Recycling

The long-lasting Sewer and Pipe Cleaning Nozzles of hardened steel supplied with ceramic inserts are suitable for water-recycling.

On request also available in Stainless Steel.



Order No.	Designation	Weight (Kg)	Dimensions L x Ø (mm)	Connection	Inserts	Jet Angle	Scope of Application (Ø mm)
3801	KR 08K	0.15	45x35	1/2"	VS 1 x M6 x1 RS 6 x M4 x 0.7	RS 40°	60+
3802	KR 08K	0.15	45x35	1/2"	VS 1 x M6 x1 RS 8 x M4 x 0.7	RS 40°	60+
3803	KR 10K	0.30	57x45	3/4"	VS 1 x M6 x1 RS 8 x M4 x 0.7	RS 45°	100+
3804	KR 12K	0.40	70x55	1"	VS 1 x M6 x1 RS 10 x M6 x 0.7	RS 40°	150+
3805	KR 14K	0.95	100x60	1 1/4"	VS 1 x M6 x1 RS 10 x M6 x 1	RS 45°	200+
3806	KR 15K	1.00	115x70	1 1/2"	VS 1 x M6 x1 RS 12 x M6 x 1	RS 45°	200+

VS= Forward jet RS= Backward jet

All KR-Nozzles are made of hardened steel but on request also available in Stainless Steel.