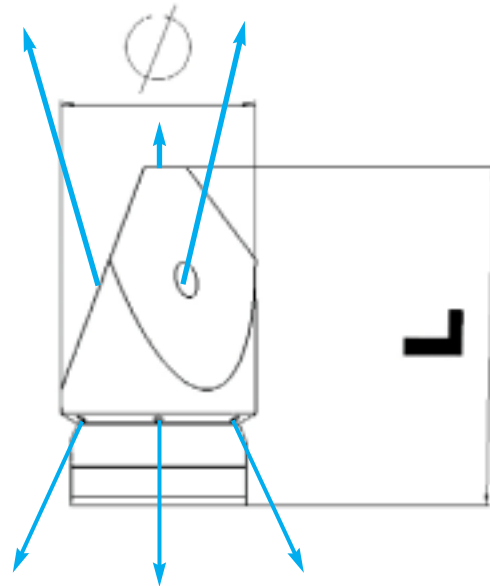
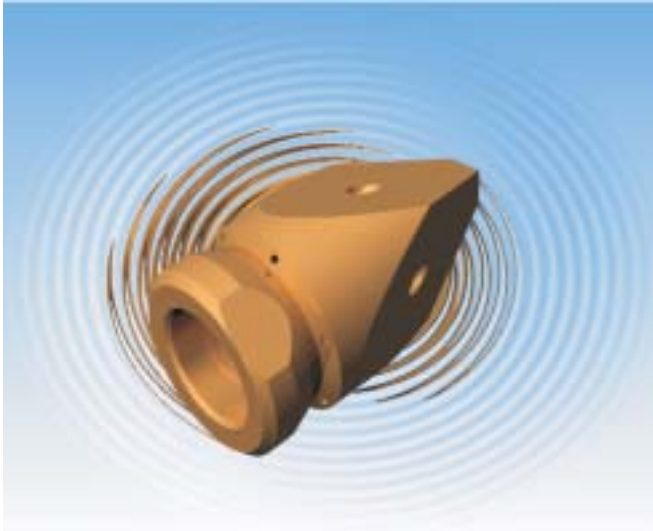


Rodding Nozzles

This is the ideal nozzle for difficult situations in the sewer. Thanks to the concentrated force of the forward jets, even heavy obstructions can be removed. Very good cleaning performance and even the clearing of totally obstructed pipes can be achieved. This Rodding Nozzle is indispensable to sewer cleaning experts.



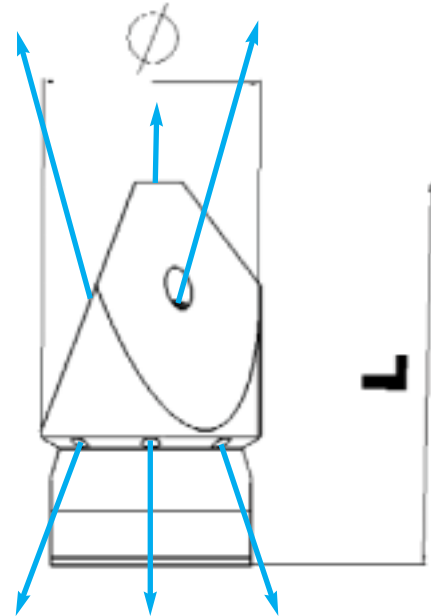
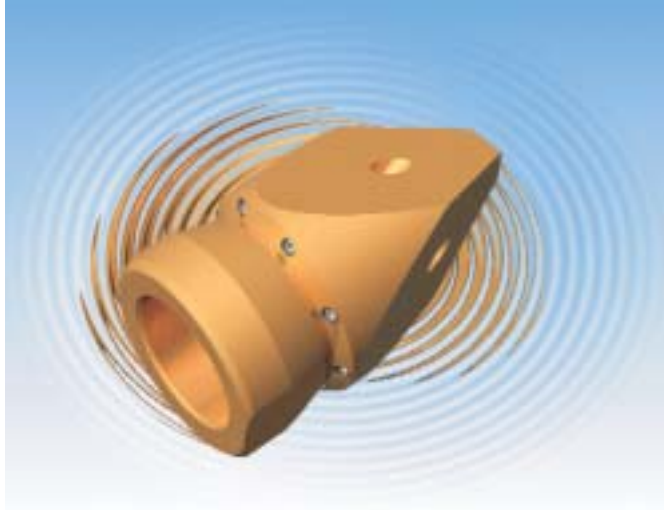
Order No.	Designation	Weight (Kg)	Dimensions L x Ø (mm)	Connection	Inserts	Scope of Application (Ø mm)
0601	SD 025	0.03	28x18	1/4"	All Drilled	40+
0602	SD 038	0.05	45x25	3/8"	VS 4 x M4x0.7 RS 6 x drilled	60+
0603	SD 050	0.10	57x30	1/2"	VS 4 x M4x0.7 RS 6 x drilled	60+
0604	SD 075	0.30	70x40	3/4"	VS 4 x M4x0.7 RS 6 x drilled	80+
0605	SD 100	0.50	85x50	1"	VS 4 x M4x0.7 RS 8 x drilled	150+
0606	SD 125	1.00	105x60	1 1/4"	VS 4 x M6x0.7 RS 10 x drilled	300+
0607	SD 150	1.50	120x70	1 1/2"	VS 4 x M6x0.7 RS 10 x drilled	300+

VS= Forward jet RS= Backward jet

The angles of the nozzles are 0°/15° forward and 25° backward.

Rodding Nozzles for Water Recycling

The Rodding Nozzles from our program.
Ceramic inserts suitable for recycled water.



Order No.	Designation	Weight (Kg)	Dimensions L x Ø (mm)	Connection	Inserts	Scope of Application (Ø mm)
3901	SD 038K	0.05	45x30	3/8"	VS 4 x M4x0.7 Ceramic RS 4 x M4x0.7 Ceramic	60+
3902	SD 050K	0.10	57x35	1/2"	VS 4 x M4x0.7 Ceramic RS 6 x M4x0.7 Ceramic	60+
3903	SD 075K	0.30	70x45	3/4"	VS 4 x M4x0.7 Ceramic RS 8 x M4x0.7 Ceramic	80+
3904	SD 100K	0.50	85x55	1"	VS 4 x M6x0.7 Ceramic RS 8 x M6x0.7 Ceramic	150+
3905	SD 101K	2.80	180x70	1"	VS 5 x M10x1 Ceramic RS 6 x M10x1 Ceramic	200+
3906	SD 125K	1.00	105x60	1 1/4"	VS 4 x M6x1 Ceramic RS 10 x M6x1 Ceramic	300+
3907	SD 126K	4.30	210x80	1 1/4"	VS 5 x M10x1 Ceramic RS 6 x M10x1 Ceramic	300+
3908	SD 150K	1.50	120x70	1 1/2"	VS 4 x M6x1 Ceramic RS 10 x M6x1 Ceramic	300+

VS= Forward jet RS= Backward jet

The angles of the nozzels are 0°/15° forward and 25° backward.