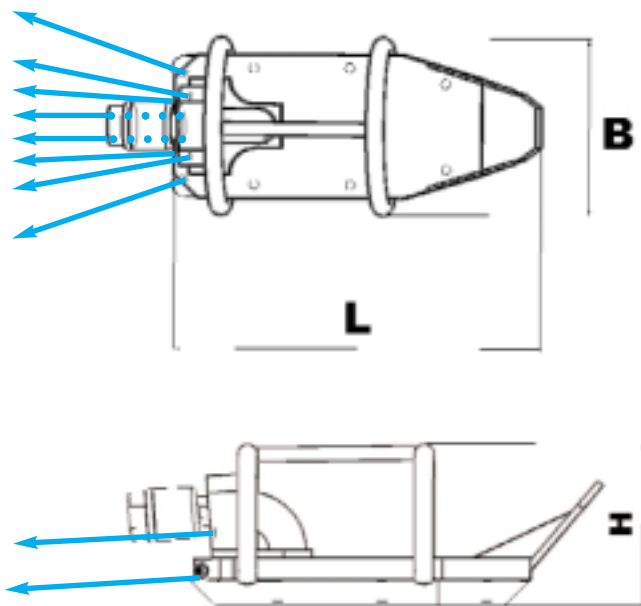


Bulldozer

The muscle man for sewers with a nominal width of 200mm upwards sets new standards. The Bulldozer system concentrates the whole power on the sewer invert, thus achieving optimum efficiency. The advantages are:

- Cleaning times reduced considerably
- Water consumption reduced
- More thorough cleaning
- Deep cleaning in sewers with high water flow (no floating)
- Easy sliding forward and backward due to edge runners
- Removable runners made of hardened Steel



Order-No.	Designation	Weight (Kg)	Dimensions L x B x H (mm)	Connection	Inserts	Scope of Application (Ø mm)
0201	B 00	4.5	180x110x100	½"	6 x M10x1 ceramic	200+
0202	B 01	7.0	320x160x150	¾"	6 x M10x1 ceramic	200+
0203	B 02	13.0	350x160x150	1"	6 x M10x1 ceramic	400+
0204	B 03	22.0	450x190x180	1"	8 x M10x1 ceramic	500+
0205	B 04	37.0	600x240x210	1 ¼"	10 x M10x1 ceramic	600+
0206	B 05	37.0	600x240x210	1 ½"	10 x M10x1 ceramic	800+

All Bulldozers will be supplied with rotating joints except Bulldozer B 00. The angles of the nozzles are 0°-45° backwards and 4° to the bottom.