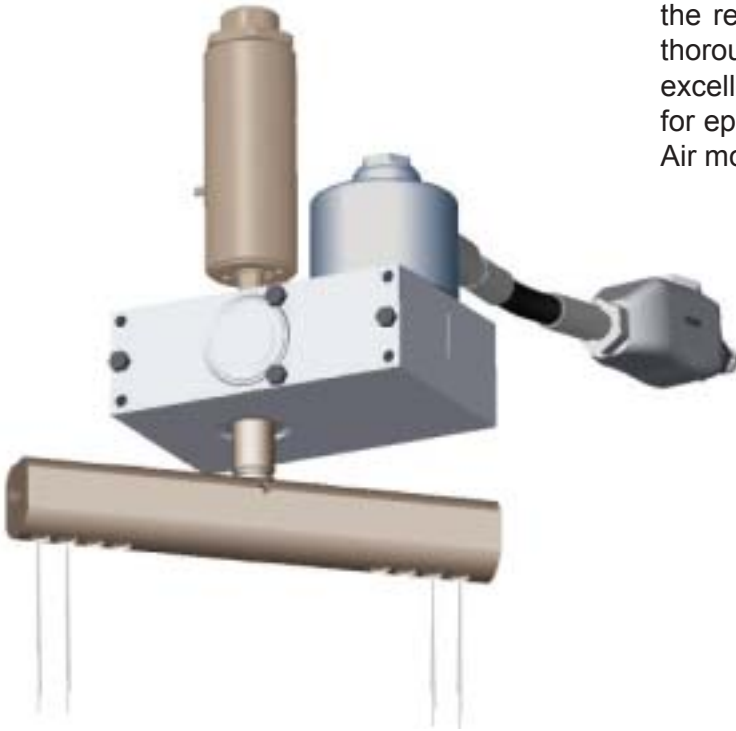


UH-40 40 Kpsi Powered Rotation

The productive solution for coatings, corrosion, or scale removal

The **UH-40 & 50 Powered Rotation Assemblies** feature the reliable **UH-H9H6 Swivel** and belt drive system for thorough and productive surface cleaning. Replaceable, excellent quality sapphire jets provide hard-hitting power for epoxy coatings removal or other surface preparation. Air motor or hydraulic motor drives are available.



Clean belts, screens, conveyors

Remove epoxy coatings

Clean paint line carriers

Prepare surfaces for coatings

Build custom surface cleaning systems

Do it all with minimum water flow

More productive than hand-held gun

- 4-Arm Assembly to 20" jet path diameter
- Bar Head to 12" jet path diameter
- Rugged, high capacity design
- Uses 3/8 in. **OS6 Sapphire Nozzle Tips**, pg. 47
- Easy to mount, easy to maintain

Specifications

Drive	Air Hydraulic	UH-40 UH-50
Swivel		UH-H9H6
Max. Pressure		40 Kpsi 2750 bar
Flow Rating		0.64 Cv
Flow Capacity		20 gpm 76 lpm
Inlet Port		9/16 HP*
Outlet Shaft		3/8 HP*
Mounts		Four 5/16-18 NC 2.25 X 8 in. Spacing
Rotation Speed		
Fast	2:1 Ratio	250 - 1,000 rpm
Air Supply at 80 psi		42 CFM 20 l/sec
Weight, without Head		26 lb 11.8 kg
* High Pressure Cone & Thread		

