

BJV 2D Self-Rotating Nozzles

BJV-20K the answer if 15 Kpsi is just not enough!

Model BJV-20K 20 Kpsi, 60 gpm

*BJV-20K Viscous Braking Swivel
with BJ 144-P4-6 Head and
APF Nozzle Tips*



If 20 Kpsi power is needed, the **BJV-20K** is the answer. Features unique to the **BJV-20K** include lubricant fill by syringe, and easy high pressure seal replacement through the inlet port. Heads that take nozzle tips directly, and heads that use extension nipples are available. But 20 Kpsi connections are different from pipe threads. Centralizers are available.

20 Kpsi Connections



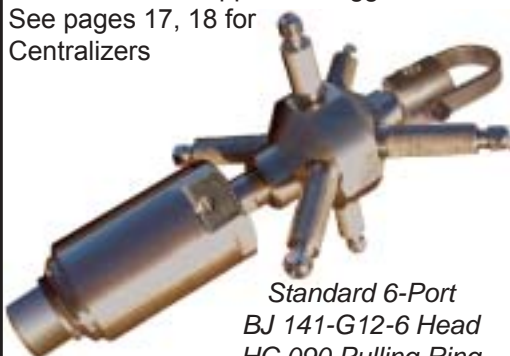
**J-Shaft Connection
to Nozzle Head**
1.1" OD , o-ring seal



**SA 577-G12P4
Extension Nipples**
Require SA 059 O-Ring
1/4 npt other end

BJ 141-P8 Head

Uses extension nipples for bigger diameters
See pages 17, 18 for
Centralizers



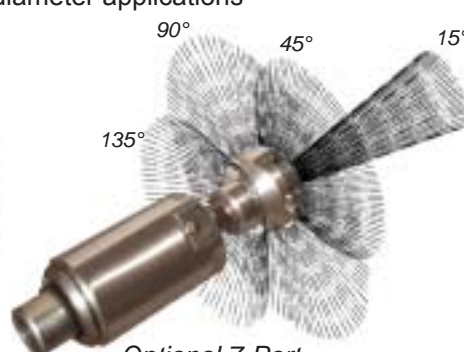
*Standard 6-Port
BJ 141-G12-6 Head
HC 090 Pulling Ring
SA 577-G12P4 Extension
Nipples AP4 Nozzle Tips*

BJ 144-P4 Head

For smaller diameter applications



*Standard 6-Port
BJ 144-P4-6 Head
APF4 Nozzle Tips*



*Optional 7-Port
Unplugging BJ 144Head
APF4 Nozzle Tips*

Select a Head for the Right Flow Range!

Flow Range in gpm

Offset, R=	0.60	0.35	0.20	0.12
BJV-20K	8-15	15-24	24-40	40-60

Various adapters available to connect BJV to hose.

Specifications

Model	BJV-20K	
Maximum Pressure	20 Kpsi	1380 bar
Rotation Speed	Fast	70-300 rpm
	Slow	15-50 rpm
Flow Capacity	60 gpm	230 lpm
Flow Rating, Cv	2.3	
Inlet Port	3/4 MP	
Shaft Outlet	StoneAge J-Shaft	
Weight	8.0 lb	3.6 kg
Length	8.40 in.	21.3 cm
Standard Head	BJ 144-P4-Rx	
Diameter	3.0 in.	76 mm
Ports	6 or 7	6 or 7
	1/4 npt	1/4 npt
Weight	3.3 lb	1.5 kg
Optional Head	BJ 145-G12-Rx	
Diameter	3.5 in.	89 mm
Ports	6	6
	G12	G12
Weight	4.5 lb	2.0 kg