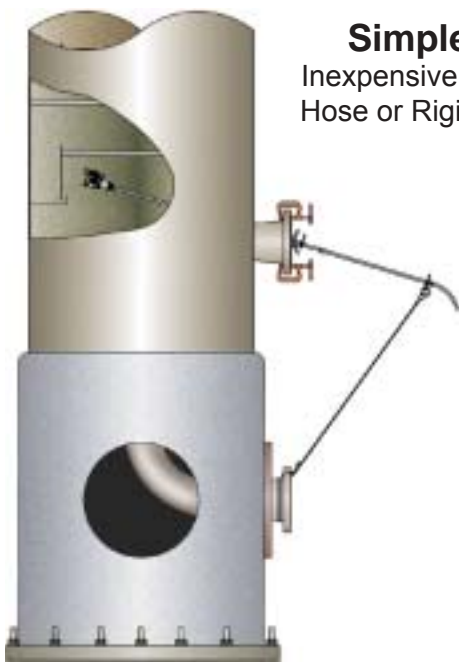
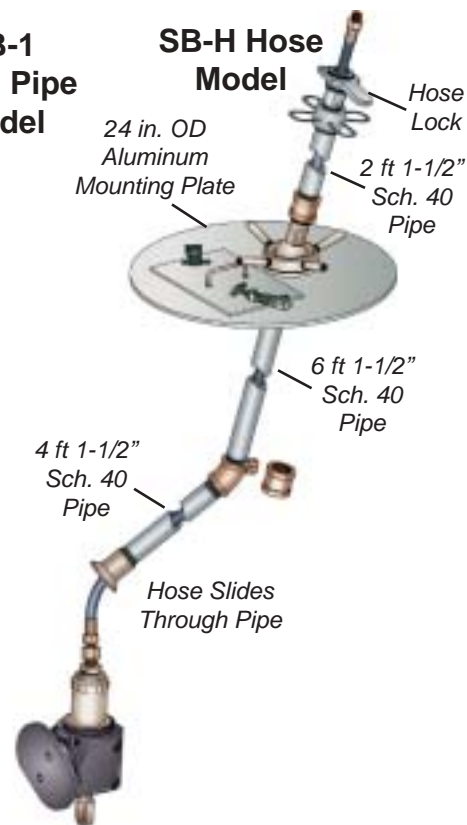
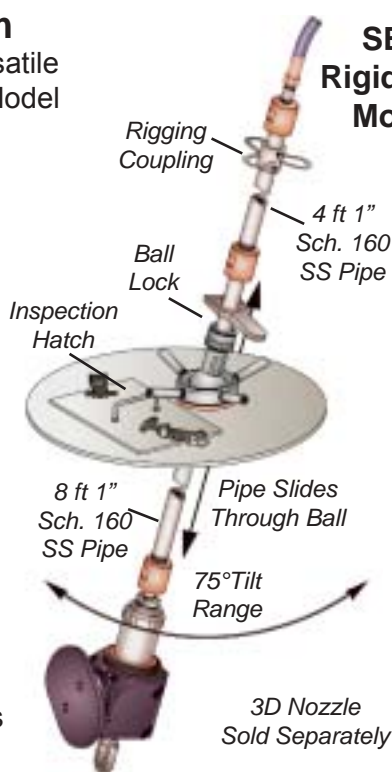


Positioning Tools



Simple Boom
Inexpensive and versatile
Hose or Rigid Pipe Model

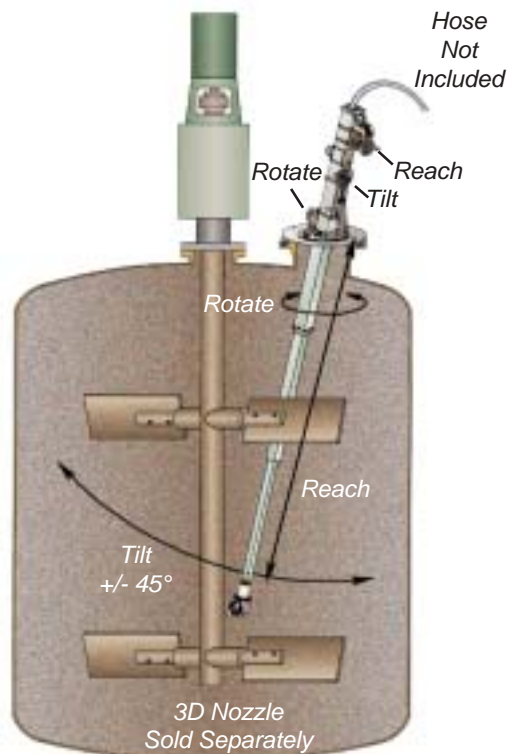
SB 200 Conversion Kit
Uses same base plate and ball assembly as **SB-1**. This kit converts **SB-1** to **SB-Hose**.



Teleboom

Telescoping Reach to 19 ft
Tilt, and Rotation

Attach a 3D nozzle at the bottom, run the hose through the **Teleboom**, and you are ready to handle a variety of vessel cleaning situations. The **Teleboom** extends by gravity, so it won't work in a horizontal position. The heavy duty square aluminum tubing telescopes easily, because of plastic slides built into each section.



Specifications

Model	TB-6		TB-8	
Reach, Max.	13.0 ft	4.0 m	19.0 ft	5.8 m
Overall Length Collapsed	6.5 ft	2.0 m	8.5 ft	2.6 m
Extended	16.0 ft	4.9 m	22.0 ft	6.7 m
Weight	120 lb	54 kg	130 lb	59 kg
Hose Connection	3/4 npt	3/4 npt		
Capacity	100 gpm	380 lpm	100 gpm	380 lpm
Max. Hose ID	3/4 in.	19 mm	3/4 in.	19 mm
Max. Pressure	15 Kpsi	1,000 bar	15 Kpsi	1,000 bar
	Depends on hose		Depends on hose	