

Swivel Selection Guide

The broadest range of high pressure swivels on the market to connect:

- Hose to rotating tools
- Hose to lancing machines
- Hose to hose reels
- Mounting rotating tools
- Hose to surface cleaners
- Hose to hose

SL Swivels

- 15 & 20 Kpsi models
1,000 & 1,380 bar
- 25 & 35 gpm models
95 & 130 l/min
- To 1,000 rpm



1.75 in. OD

SG Swivels

- 15 & 20 Kpsi models
1,000 & 1,380 bar
- 50 & 110 gpm models
190 & 420 l/min
- 400 & 2,000 rpm models



3 in. OD

SM Swivels

- To 10 Kpsi, 690 bar
- Up to 600 gpm, 2,300 l/min
- To 300 rpm

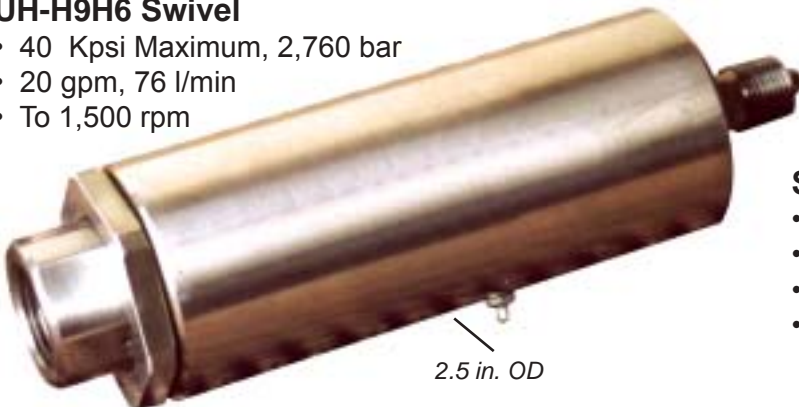


3.5 in. OD

3.5 in. OD

UH-H9H6 Swivel

- 40 Kpsi Maximum, 2,760 bar
- 20 gpm, 76 l/min
- To 1,500 rpm



2.5 in. OD

SH Swivel

- 15 Kpsi Max. 1,000 bar
- 50 gpm, 190 l/min
- To 300 rpm
- Compact and lightweight for shot guns, hose handling, hose reels



2.25 in. OD

Swivels are not designed to control rotation rate, and therefore cannot be used as self-rotating 2D nozzles. Swivels are used where rotation rate is controlled by air motor, other powered rotation mechanism, or where overspeed is not possible. See pages 12-16 for 2D self-rotating nozzles with rotation speed control for pipe cleaning.