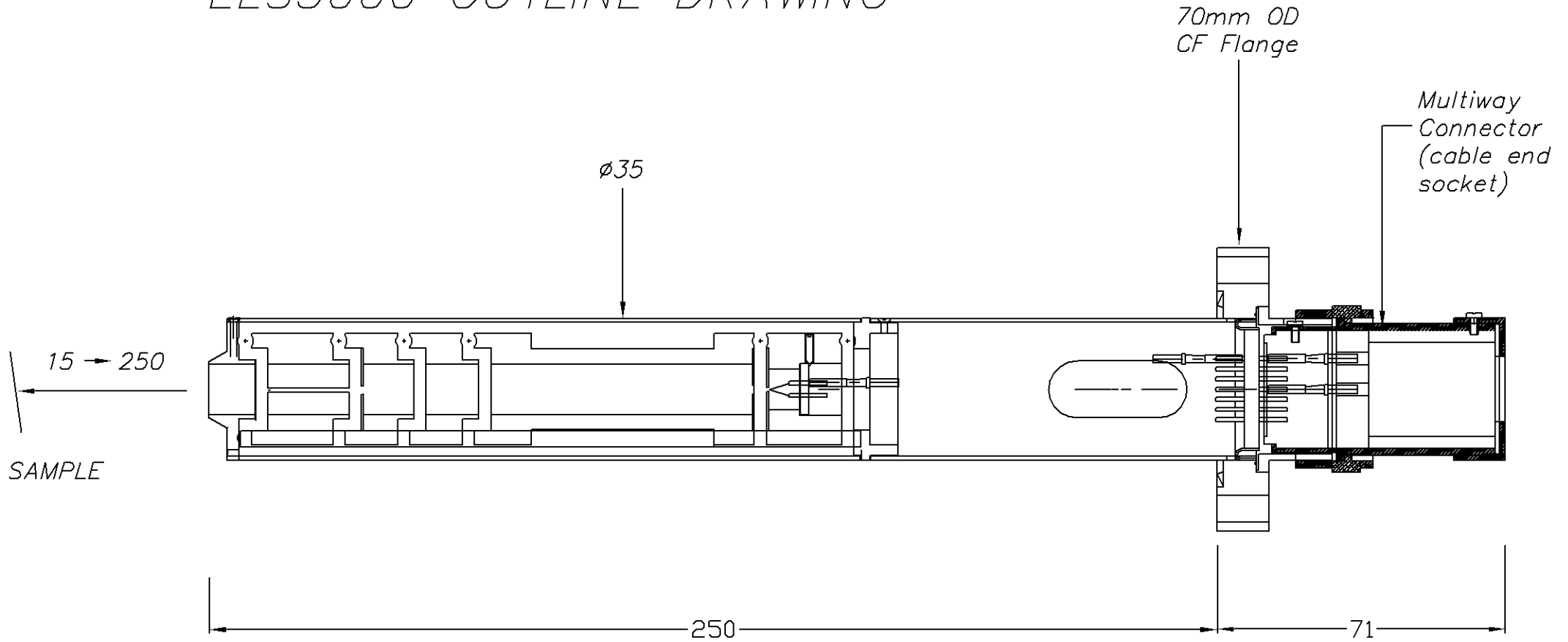


# ELS5000 OUTLINE DRAWING



ASSY.	ENG.	DRN. <i>DN</i>	DATE 09/11/00
MATERIAL	FINISH	TOLERANCE	SCALE
<b>PSP Vacuum Technology</b> Unit 8, Heather Close, Lyme Green Business Park Macclesfield, Cheshire, SK11 0LR. Tel. 01625 500154			
TITLE ELS 5000 ASSEMBLY			DRAWING No.