

GAS FIRE CONTROLS



A range of control valves offering a complete range of features especially for the decorative gas fire sector. The valves include integral piezo ignition, high and low flow rate adjusters, pressure test point and inlet filter, in a low profile package.

FEATURES

- ⇒ Inlet filter to protect the valve and pilot supply.
- ⇒ Thermoelectric flame supervision device.
- ⇒ Permanent pilot supply
- ⇒ Adjustable flow rates on both high and low positions
- ⇒ Pressure test point
- ⇒ Full EC certification

TECHNICAL DATA

Suitable for natural and LP gases

Flow rate: max. - 0.50m³/h on air at 3 mbar p.d.
 Min. - ≤ 0.30m³/h on air at 3 mbar p.d.

Gas connections:

Inlet/outlet - M12 x 1 for 8 mm compression

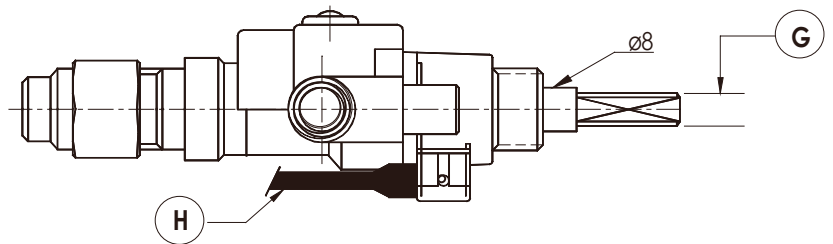
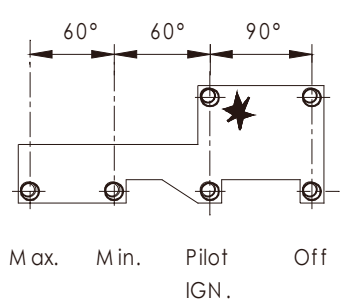
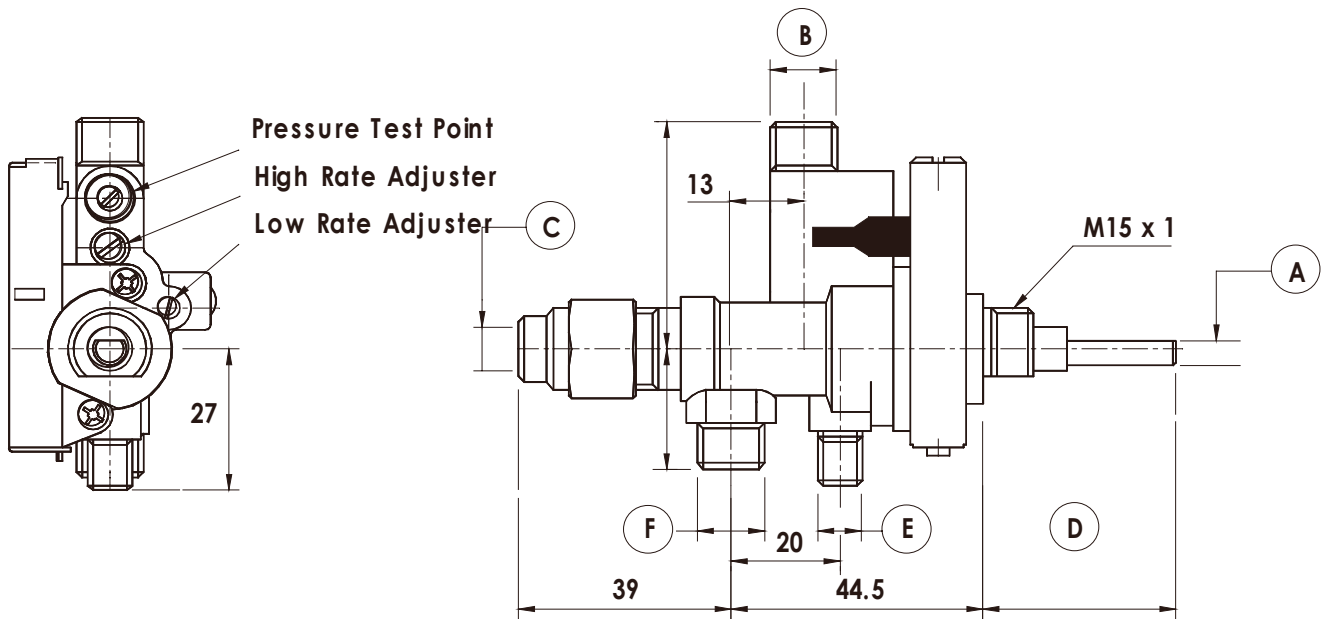
Pilot - M 8 x 1 for 4 mm compression

Piezo with 350 or 550 mm lead lengths.

Thermocouple connections: - M8, M9.

Also available without pilot outlet.

from Seagas



A	B	C	D	E	F	G	H
4.6/5.5	M12 x 1	M8, 9 or M10 x 1	27/41	M8 x 1	M12 x 1	6.0/6.35	350