

COPILOT ODS CONTROL



The COPilot™ atmosphere sensing device has been designed and engineered to meet the highest safety standards of today's gas industry, where reliable protection is required not only on flueless gas heaters, but open and closed flue space heating appliances.

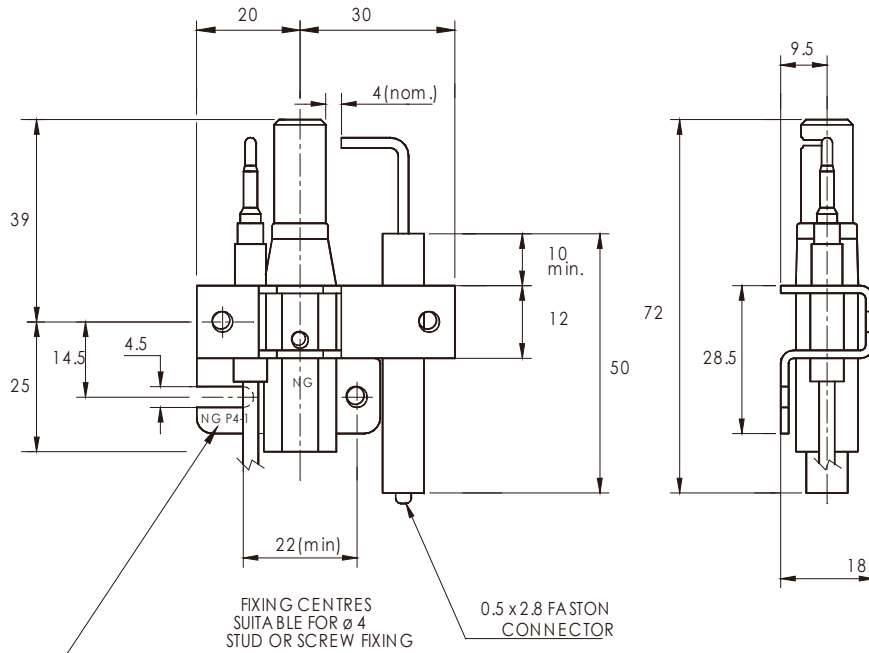
The British made COPilot™ has a precise, reliable and effective response, cutting off the gas supply under vitiated conditions in line with current European and International criteria.

COpilot™ is of robust construction: consisting of the burner, thermocouple and electrode; securely mounted onto a steel bracket for easy installation onto the chassis of the appliance

TECHNICAL DATA

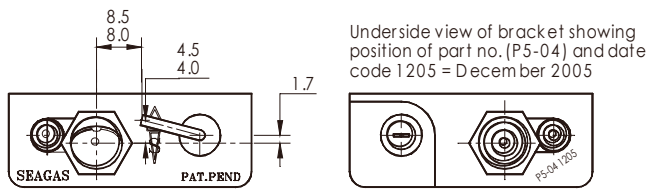
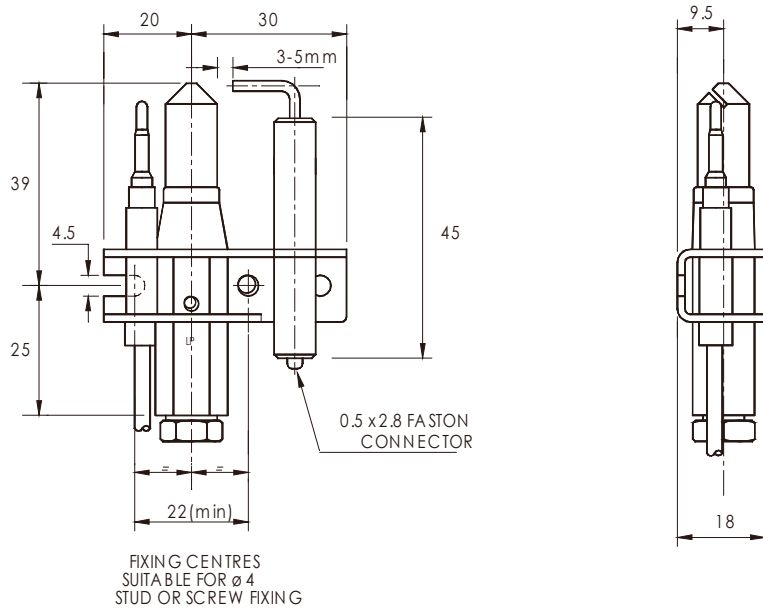
| | | |
|------------------|---|--|
| Gas rate: | - | 200 Watts on Natural or LP gases. |
| Gas connections: | - | M10 internal compression nut for 4 mm diameter tube |
| Attachment | - | 2 x 4 mm holes (one slotted) – minimum distance between centres—22 mm. |
| Thermocouple | - | 320,450 & 1000 mm length with M8 or M9 connection. |

from Seagas



Position of part no. (P4-10) and date code 1100 = November 2000

Horizontal Flame COpilot



Underside view of bracket showing position of part no. (P5-04) and date code 1205 = December 2005

Angled Flame COpilot