

A robust taper plug valve and FSD control, suitable for a wide range of catering appliances. Designed for gas facia mounting with the outlet positioned to afford ease of access.

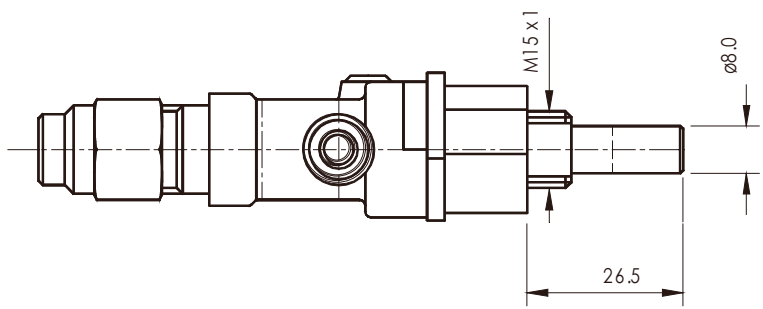
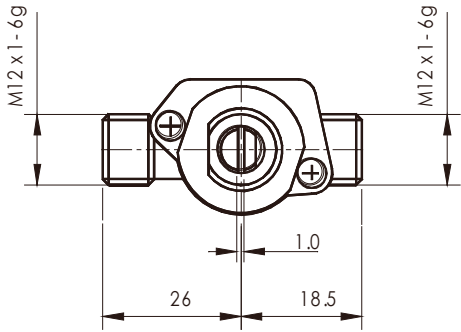
FEATURES

- ⇒ Integral flame supervision device.
- ⇒ Facia mounting
- ⇒ Preset low flow rate
- ⇒ Full CE certification

TECHNICAL DATA

Flow rate:	max.	- 0.38m ³ /h on air at 3 mbar p.d.
	min.	- adjustable or to flow master
Gas connections:	Inlet	- M12 x 1 Compression connection for 6 mm or 1/4" tube
	Outlet	- M12 x 1 Compression connection for 6 mm or 1/4" tube
Thermocouple connections		- M10 x 1

from Seagas



OPERATING SEQUENCE

