



ARROWHEAD
ROCKDRILL
HYDRAULIC HAMMERS, TOOLS & PARTS

INNOVATORS IN VALUE



ARROWHEAD

ROCKDRILL

HYDRAULIC HAMMERS, TOOLS & PARTS

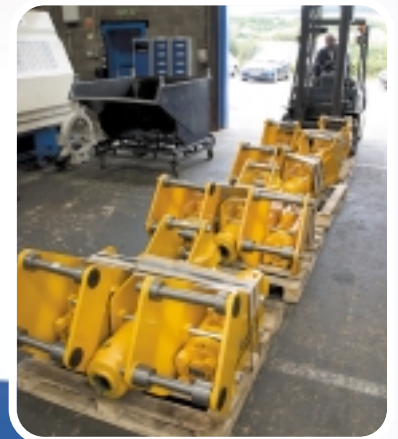
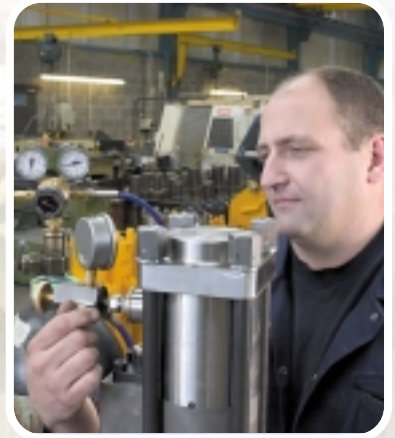
During the last twenty years Arrowhead Rockdrill has established itself as a world-class manufacturer of replacement tools and wear parts for hydraulic hammers. Now, with a worldwide sales and support network in place, Arrowhead Rockdrill offers one of the most complete design, manufacture and service packages available to the construction industry.

INNOVATORS IN VALUE

Arrowhead Rockdrill is proud of its reputation for producing high performance machinery that is rugged, but simple to use and maintain. Smaller users will find it easy to afford the high quality of an Arrowhead product, larger companies will value both the competitive price and low on-costs, and hire companies will enjoy a rapid return on their investment.

THE ARROWHEAD 'S' RANGE

Our programme of continuous investment and product development has allowed us to create a hydraulic hammer range which can compete with the best in the world, and which is now being used all over the world. Now, the development of the Arrowhead 'S' range offers the very latest in Vibrasilenced hammers for every type of application - all backed by Arrowhead's unique on-site service back-up and rapid replacement parts supply.



ARROWHEAD ROCKDRILL 'S'

The Arrowhead Rockdrill, 'S' range offers high quality, long lifespan and excellent serviceability, but at an Arrowhead price. The range includes hammers with all the power needed for more substantial work, alongside superb small machines with the flexibility required of many modern construction scenarios.

Resulting from our commitment to Value Innovation, the 'S' range allows Arrowhead Rockdrill customers to have the quality they demand at the price they prefer, with no loss of performance or after-sales support.

Features of the 'S' Range

- Lower maintenance, with a boltless mounting section replacing traditional cross blots.
- Vibration damping reduces total operator & carrier machine vibration exposure
- A high quality, modern hammer at a highly advantageous price.
- Lower guaranteed sound power levels



ARROWHEAD 'S' RANGE	S20	S30	S40	S60	S100
Max energy per blow / J	350	400	700	1100	1400
Require flow /L / min	20-35	30-45	30-55	55-100	70-110
Operating pressure / bar	90	110	110	120	120
Blows per minute	450-950	650-1150	450-1250	550-1100	550-1100
Tool dia / mm	45	53	65	75	95
Overall length / mm	1180	1300	1450	1600	1650
Working weight / kg	100	135	225	330	490
Guaranteed sound power /dB	116	117	118	121	123
Carrier weight / tonnes	1.0-3.0	2.0-4.0	2.5-5.5	4.5-8.5	7.0-11.0

ARROWHEAD ROCKDRILL URBAN

The Arrowhead Urban range combines the benefits of simple, reliable and serviceable design with technically advanced features such as urban silencing, recoil damping and central lubrication.

Features of the Urban Range

- Urban silenced.
- Mechanically and hydraulically recoil dampened.
- High pressure and flow tolerance.



ARROWHEAD 'URBAN' RANGE	16T	22T	XD 42T
Max energy per blow / J	2200	4400	10000
Require flow /L / min	90-150	150-200	180-250
Operating pressure / bar	130	130	180
Blows per minute	400-600	400-600	400-600
Tool dia / mm	105	125	160
Overall length / mm	1900	2400	2600
Working weight / kg	990	1940	3700
Guaranteed sound power /dB	125	127	131
Carrier weight / tonnes	13.0-22.0	18.0-27.0	30.0-50.0

REPLACEMENT TOOLS AND PARTS

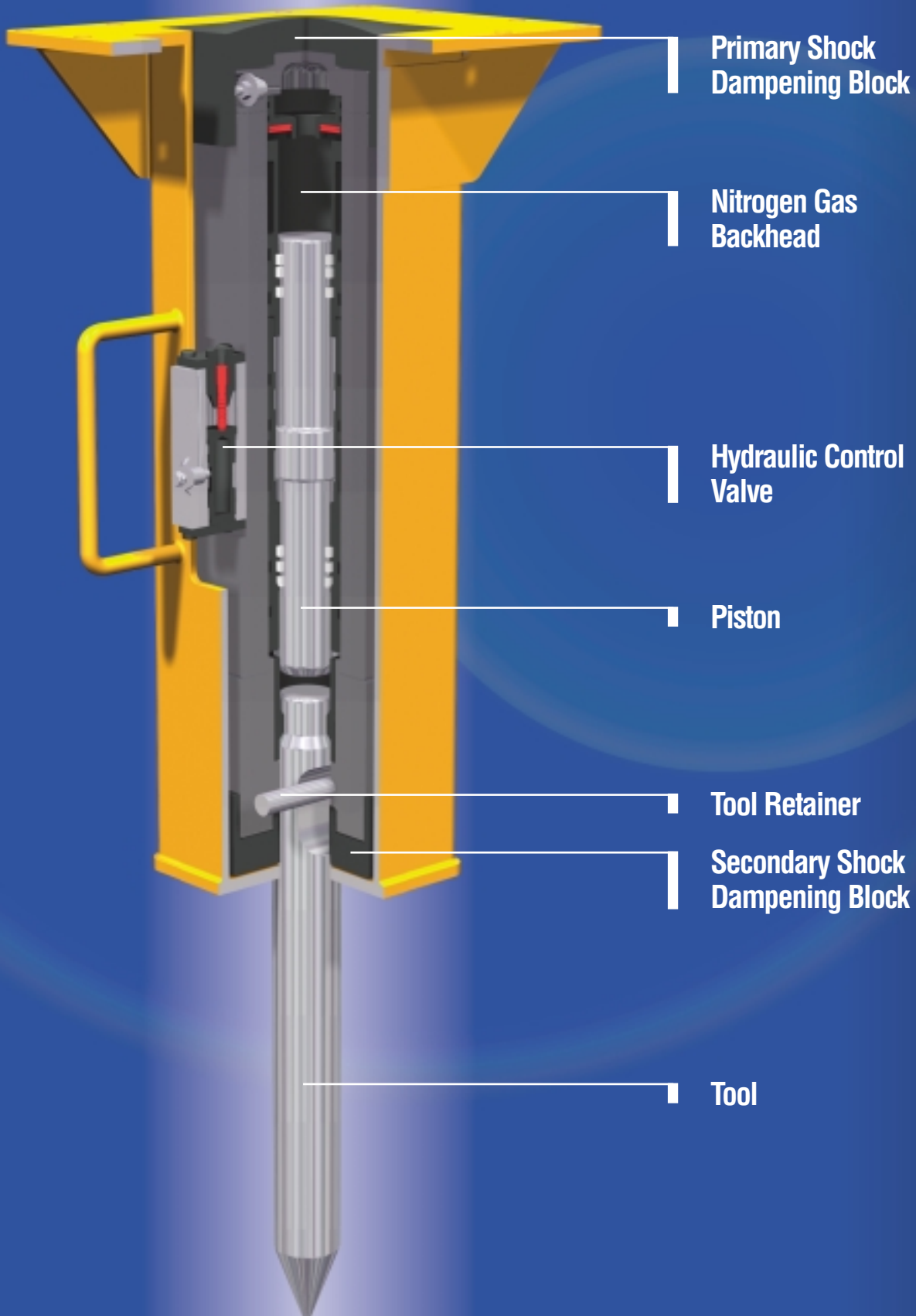
Arrowhead Rockdrill is also a major manufacturer of high quality replacement wear parts and breaker tools to fit most popular hydraulic breaker types and models. Arrowhead has over twenty years experience in the wear tools and parts business and holds a large selection of precision-made replacement parts which match the standards of even the most exacting original manufacturer.

Whatever replacement part or tool you might need, rest assured in the exceptional quality of Arrowhead Rockdrill breaker parts.



CUTTING EDGE DESIGN

If you want to know what it is that makes an Arrowhead Rockdrill hammer the first choice of an increasing number of contractors all around the world, look no further than our products. Arrowhead's straight-forward design gives long, trouble-free usage with minimal down time.





ARROWHEAD
ROCK DRILL
HYDRAULIC HAMMERS, TOOLS & PARTS

Hema Works, Station Lane, Old Whittington, Chesterfield S41 9QX United Kingdom

Tel: +44 1246 260 012 Fax: +44 1246 260 013

Web: www.arrowheadrockdrill.com Email: info@arrowheadrockdrill.co.uk

1550 State Street, Barstow California CA. 92311 U.S.A

Toll Free: 800-984-3222 Tel: 760-255-8990 Fax: 760-255-8980 Email: info@arrowheadrockdrill.com