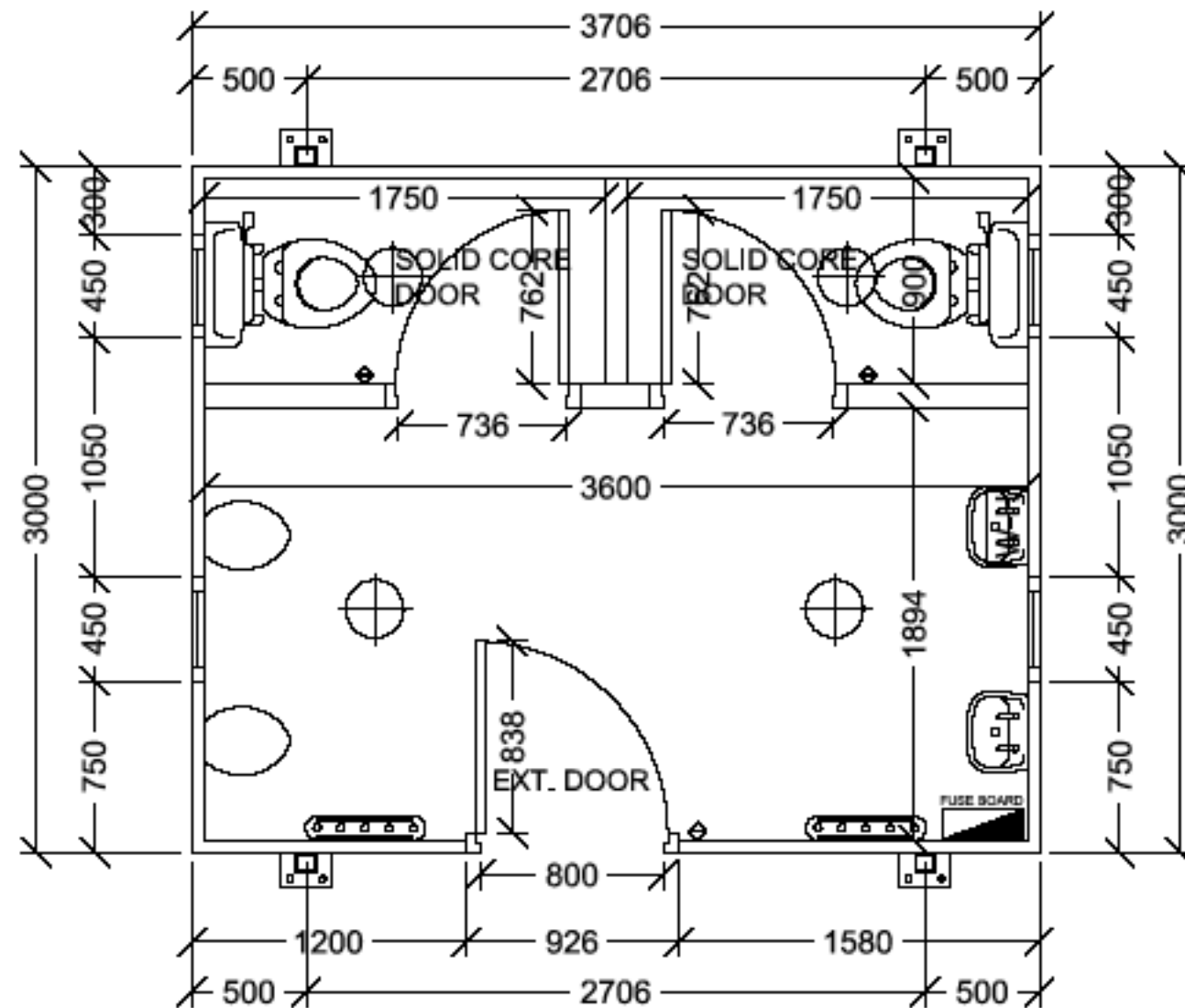
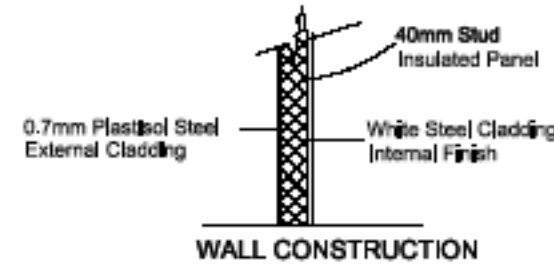
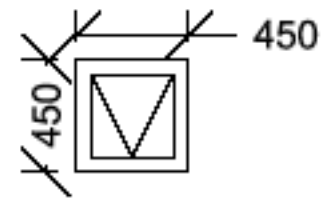


FOR APPROVAL

APPROVED BY: \_\_\_\_\_

DATE: \_\_\_\_\_



**ELECTRICAL LEGEND**

- 2D LIGHT FITTING
- ONE WAY SWITCH
- UNDER-SINK WATER HEATER
- ELCB FUSE BOARD
- TUBULAR HEATER

**Notes** TIMBER FRAMED SPECIFICATION

- Roof:
- 175 x 38mm Timber Roof Joists.
- 18mm OSB
- Marley Roof Blanket PVC Membrane
- External Walls -53mm
- 0.7mm Plastisol Coated Steel - Goosewing Grey
- 40x55mm Timber Frame
- 40mm High Density Polystyrene Insulation
- White Steel Cladding Internal Finish
- Ceiling:
- 12.5mm Vinyl Faced Plasterboard
- 2300mm Floor to Ceiling Height
- Floors:
- Alumised Insulation Sheet
- 175 x 50mm Timber joists
- 18mm Structural Plywood
- Non-Slip Vinyl Floor Covering
- Internal Partitions: -100mm
- 70x38mm Timber Studs
- 70mm Fibreglass Insulation
- 1No. Layer of White Steel Cladding each side
- Windows:
- 4 No. 450 x 450mm White PVC Double Glazed Units
- Doors:
- 1 No. 838mm Steel Bonded External Door
- 2 No. 762mm Internal Solid Core Doors
- Electrical:
- 1 No. ELCB Fuse Board
- 4 No. 2-D Lights
- 2 No. Tubular Heaters on own spurs
- Mechanical:
- 2 No. WCs
- 2 No. WHBs
- 2 No. Urinals
- 1 No. Under Sink Water Heater
- 2 No. Toilet Roll Holders
- 2 No. Mirrors
- Jacklegs/Trims:
- 4 No. 90mm x 90mm Steel Jacklegs- Ocean Blue
- Trims- Ocean Blue

No.	Revision	Date
-----	----------	------

**Convenience Services LTD**

By telephone +44 (0) 845 006 0737  
By Fax +44 (0) 1635 298 548

Unit 3, Freemantle Park Farm,  
Cottington Hill,  
Hannington, Nr. Tadley,  
Hampshire RG26 5UD

Client

Project  
12' x 10' Timber Framed Toilet Unit

Drawing Title  
Floor Plan

Scale 1:50@A4  
Date  
Drawn

Drawing No.  
07-850-01