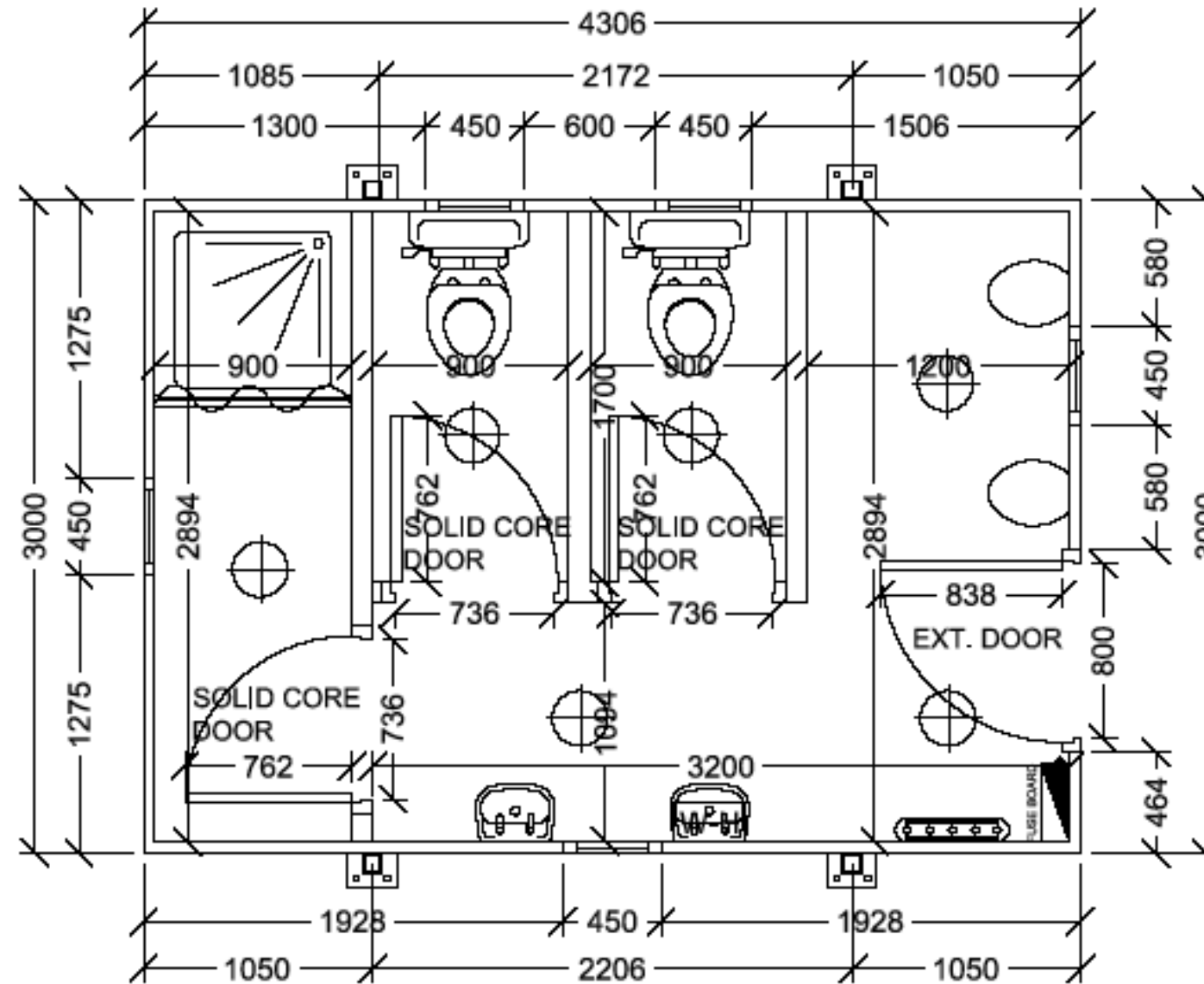
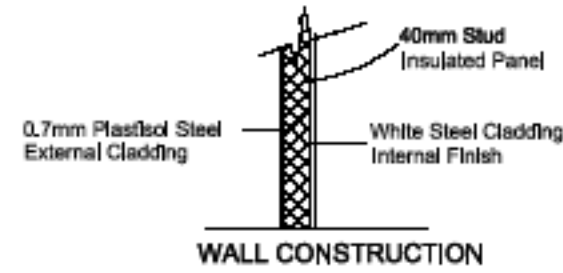
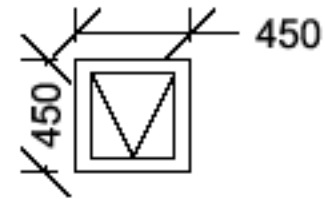


FOR APPROVAL

APPROVED BY: _____

DATE: _____



Notes TIMBER FRAMED SPECIFICATION

- Roof:
 100 x 38mm Timber Roof Joists
 18mm OSB
 Marley Roof Blanket PVC Membrane
- External Walls: -53mm
 0.7mm Plastic Coated Steel - Goosewing Grey
 40x55mm Timber Frame
 40mm High Density Polystyrene Insulation
 White Steel Cladding Internal Finish
- Ceiling:
 12.5mm Vinyl Faced Plasterboard
 2300mm Floor to Ceiling Height
- Floors:
 Aluminium Insulation Sheet
 175 x 50mm Timber Joists
 18mm Structural Plywood
 Non-Slip Vinyl Floor Covering
- Internal Partitions: -100mm
 70x38mm Timber Studs
 70mm Fibreglass Insulation
 1 No. Layer of White Steel Cladding each side
- Windows:
 5 No. 450 x 450mm White PVC Double Glazed Units
- Doors:
 1 No. 838mm Steel Bonded External Door
 3 No. 762mm Internal Solid Core Doors
- Electrical:
 1 No. ELCB Fuse Board
 6 No. 2-D Lights
 1 No. Tubular Heater on own spur
- Mechanical:
 2 No. WCs
 2 No. WHBs
 2 No. Urinals
 1 No. T-60 Triton Electrical Shower with Tray & Curtain
 1 No. Under Sink Water Heater
 2 No. Toilet Roll Holders
 2 No. Mirrors
- Jacklegs/Trims:
 4 No. 80mm x 90mm Steel Jacklegs- Ocean Blue
 Trims- Ocean Blue

No.	Revision	Date
-----	----------	------

Convenience Services LTD

By telephone +44 (0) 845 006 0737
 By Fax +44 (0) 1635 298 548

Unit 3, Freemantle Park Farm,
 Cottingham Hill,
 Hannington, Nr. Tadley,
 Hampshire RG26 5UD

Client

Project
 14' x 10' Timber Framed Toilet Unit

Drawing Title
 Floor Plan

Scale 1:50@A4
 Date
 Drawn

Drawing No.
 07-0853-01a

ELECTRICAL LEGEND

- 2D LIGHT FITTING
- ONE WAY SWITCH
- UNDER-SINK WATER HEATER
- ELCB FUSE BOARD
- TUBULAR HEATER